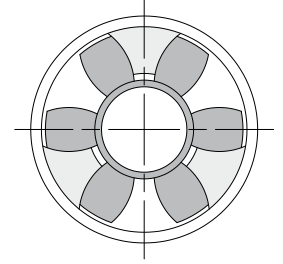
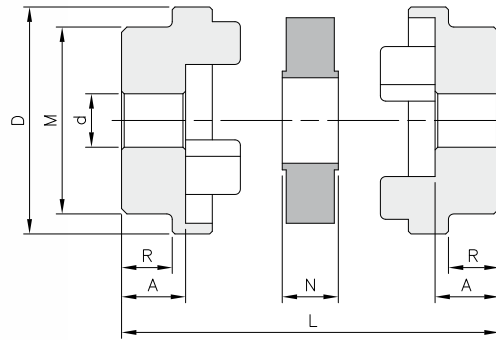
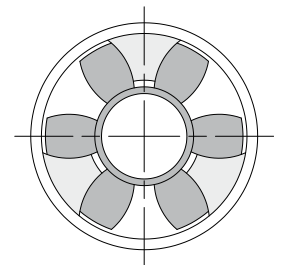
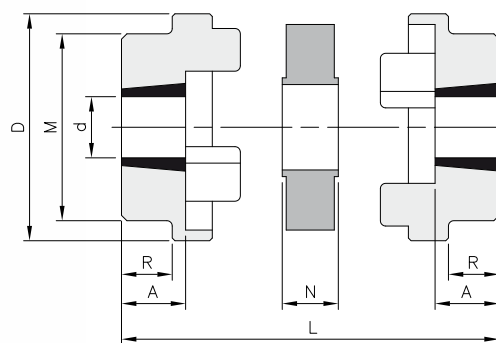


<F7> HRC COUPLING PILOT BORE



SIZE	Bore		DIMENSIONS							Kg
	(d) mm	max mm	A mm	D mm	M mm	N mm	R mm	L mm		
HRC 70	10	32	23,5	69	60	18,0	20,0	65,0	1,20	
HRC 90	10	42	30,0	85	70	22,5	26,0	82,5	2,20	
HRC 110	10	55	45,0	112	100	29,0	37,0	119,0	6,45	
HRC 130	20	60	47,5	130	105	35,0	39,0	130,0	8,00	
HRC 150	20	70	56,0	150	115	40,0	46,0	152,0	11,9	
HRC 180	28	80	70,0	180	125	46,0	58,0	186,0	18,4	
HRC 230	45	100	90,0	225	155	58,0	77,0	238,0	35,00	
HRC 280	55	115	105,5	275	206	72,0	90,0	283,0	71,00	

<F7> HRC COUPLING FOR TAPER BUSH



SIZE	Taper Bush	Bore (d)		DIMENSIONS							Kg
		min mm	max mm	A mm	D mm	M mm	N mm	R mm	L mm		
HRC 70	1008	11	25	23,5	69	60	18,0	20,0	65,0	0,88	
HRC 90	1108	11	28	23,5	85	70	22,5	19,5	69,5	1,44	
HRC 110	1610	12	42	26,5	112	100	29,0	18,5	82,0	3,20	
HRC 130	1610	12	42	26,5	130	105	35,0	18,0	88,0	4,54	
HRC 150	2012	15	50	33,5	150	115	40,0	23,5	107,0	6,60	
HRC 180	2517	19	65	46,5	180	125	46,0	34,5	139,0	10,8	
HRC 230	3020	25	75	52,5	225	155	58,0	39,5	163,0	19,1	
HRC 280	3525	35	90	66,5	275	206	72,0	51,0	205,0	41,50	