


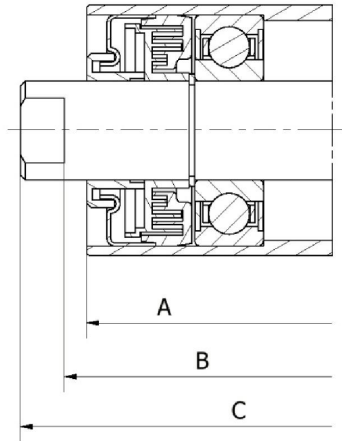


Rollers Ø51

Shaft Ø	20	S = 3,2 mm
Bearing	6204	Larger wall thickness available




Ø	Bearing	A	B	C				Weight (kg)
51	6204	165	171	191	400	-	-	1,26
		200	206	226	500	-	-	1,47
		250	256	276	650	400	-	1,77
		315	321	341	800	500	-	2,17
		380	386	406	1000	650	-	2,56
		465	471	491	1200	800	-	3,07
		500	506	532	-	-	400	3,30
		600	606	632	1600	1000	500	3,90
		700	706	732	-	1200	-	4,51
		750	756	782	2000	-	650	4,81
		950	956	982	-	-	800	6,02
		1150	1156	1182	-	2000	1000	7,23
		1400	1406	1432	-	-	1200	8,74
		1600	1606	1632	-	-	1400	9,94
		1800	1806	1832	-	-	1600	11,20

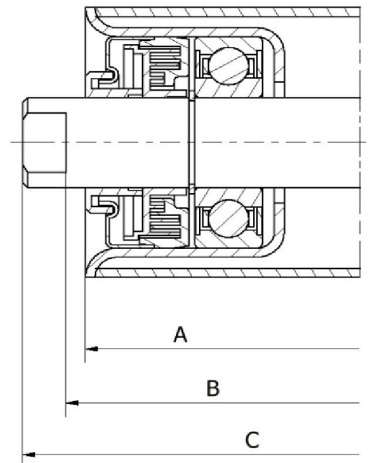


Order details: Roller D51x380/6204/Type1-G14

Rollers Ø60

Shaft Ø	20	S = 2,0 mm
Bearing	6204	Larger wall thickness available




Ø	Bearing	A	B	C				Weight (kg)
60	6204	165	171	191	400	-	-	1,35
		200	206	226	500	-	-	1,54
		250	256	276	650	400	-	1,80
		315	321	341	800	500	-	2,15
		380	386	406	1000	650	-	2,49
		465	471	491	1200	800	-	2,95
		500	506	532	-	-	400	3,15
		600	606	632	1600	1000	500	3,68
		700	706	732	-	1200	-	4,21
		750	756	782	2000	-	650	4,48
		950	956	982	-	-	800	5,54
		1150	1156	1182	-	2000	1000	6,61
		1400	1406	1432	-	-	1200	7,94
		1600	1606	1632	-	-	1400	9,00
		1800	1806	1832	-	-	1600	10,10

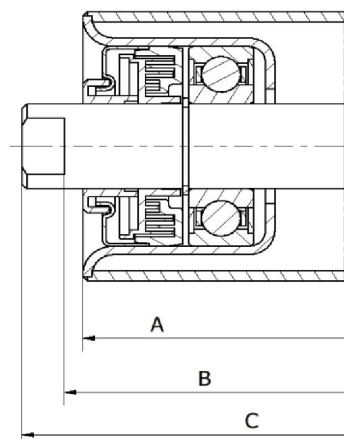


Order details: Roller D60x380/6204/Type1-G14

Rollers Ø63

Shaft \varnothing	20	S = 2,5 mm
Bearing	6204	Larger wall thickness available




\varnothing	Bearing	A	B	C				Weight (kg)
63	6204	165	171	191	400	-	-	1,51
		200	206	226	500	-	-	1,73
		250	256	276	650	400	-	2,05
		315	321	341	800	500	-	2,46
		380	386	406	1000	650	-	2,87
		465	471	491	1200	800	-	3,40
		500	506	532	-	-	400	3,64
		600	606	632	1600	1000	500	4,27
		700	706	732	-	1200	-	4,90
		750	756	782	2000	-	650	5,22
		950	956	982	-	-	800	6,48
		1150	1156	1182	-	2000	1000	7,74
		1400	1406	1432	-	-	1200	9,32
		1600	1606	1632	-	-	1400	10,60
		1800	1806	1832	-	-	1600	11,80

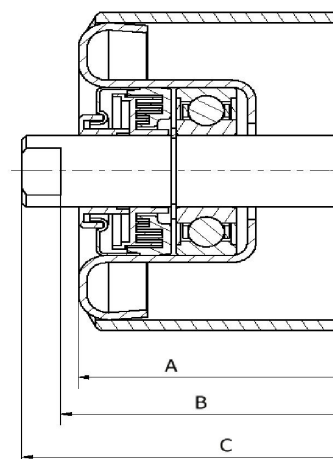


Order details: Roller D63x380/6204/Type1-G14

Rollers Ø76

Shaft \varnothing	20	S = 2,5 mm
Bearing	6204	Larger wall thickness available




\varnothing	Bearing	A	B	C				Weight (kg)
76	6204	165	171	191	400	-	-	1,69
		200	206	226	500	-	-	1,93
		250	256	276	650	400	-	2,28
		315	321	341	800	500	-	2,73
		380	386	406	1000	650	-	3,18
		465	471	491	1200	800	-	3,77
		500	506	532	-	-	400	4,02
		600	606	632	1600	1000	500	4,72
		700	706	732	-	1200	-	5,41
		750	756	782	2000	-	650	5,76
		950	956	982	-	-	800	7,14
		1150	1156	1182	-	2000	1000	8,53
		1400	1406	1432	-	-	1200	10,30
		1600	1606	1632	-	-	1400	11,60
		1800	1806	1832	-	-	1600	13,00

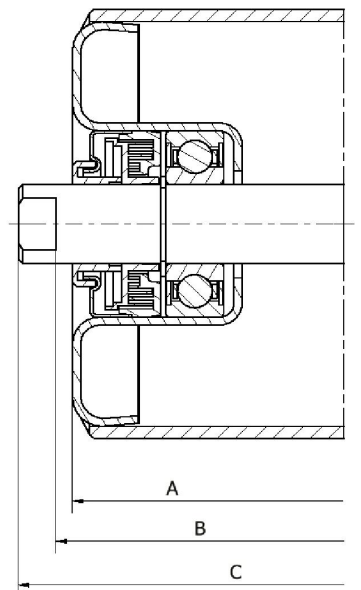
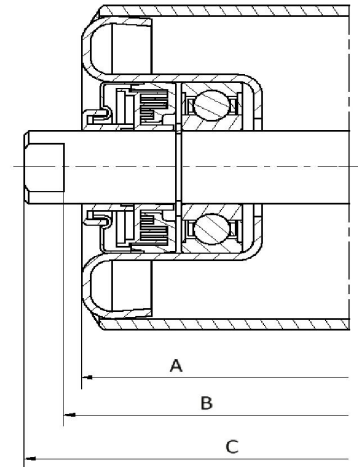


Order details: Roller D76x380/6204/Type1-G14

Rollers Ø89

Shaft Ø	20	25	30	S = 3,0 mm
Bearing	6204	6305	6206	Larger wall thickness available




Ø	Bearing	A	B	C				Weight kg		
89	6204 – 6305 – 6206	165	171	191	400	-	-	2,07	2,66	2,94
		200	206	226	500	-	-	2,38	3,02	3,36
		250	256	276	650	400	-	2,83	3,53	3,96
		315	321	341	800	500	-	3,41	4,20	4,74
		380	386	406	1000	650	-	3,99	4,87	5,52
		465	471	491	1200	800	-	4,75	5,74	6,54
		500	506	532	-	-	400	5,07	6,13	6,99
		600	606	632	1600	1000	500	5,96	7,16	8,19
		700	706	732	-	1200	-	6,85	8,18	9,39
		750	756	782	2000	-	650	7,30	8,70	9,99
		950	956	982	-	-	800	9,08	10,80	12,40
		1150	1156	1182	-	2000	1000	10,90	12,80	14,80
		1400	1406	1432	-	-	1200	13,10	15,40	17,80
		1600	1606	1632	-	-	1400	14,90	17,40	20,20
1800	1806	1832	-	-	1600	16,7	19,50	22,60		



Order details: Roller D89x380/6204/Type1-G14

Rollers Ø108

Shaft Ø	20	25	30	30	S = 3,0 mm
Bearing	6204	6305	6206	6306	Larger wall thickness available

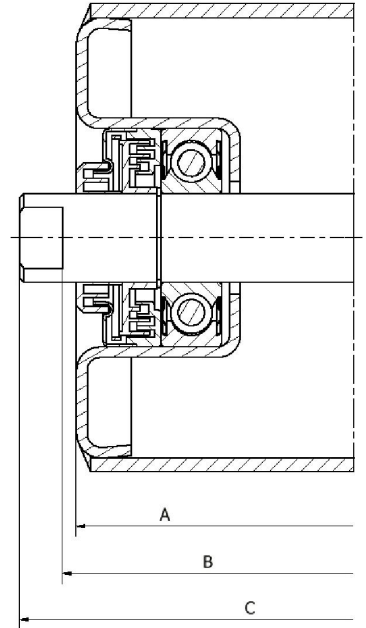
Ø	Bearing	A	B	C				Weight (kg)			
								6204	6305	6206	6306
108	6204 – 6305 – 6206 – 6306	165	171	191	400	-	-	2,52	3,20	3,48	3,96
		200	206	226	500	-	-	2,87	3,60	3,93	4,41
		250	256	276	650	400	-	3,37	4,17	4,59	5,07
		315	321	341	800	500	-	4,01	4,91	5,44	5,92
		380	386	406	1000	650	-	4,66	5,64	6,28	6,76
		465	471	491	1200	800	-	5,51	6,61	7,39	7,87
		500	506	532	-	-	400	5,87	7,03	7,88	8,36
		600	606	632	1600	1000	500	6,87	8,16	9,19	9,67
		700	706	732	-	1200	-	7,87	9,30	10,50	11,00
		750	756	782	2000	-	650	8,37	9,87	11,10	11,60
		950	956	982	-	-	800	10,40	12,10	13,80	14,20
		1150	1156	1182	-	2000	1000	12,40	14,40	16,40	16,80
		1400	1406	1432	-	-	1200	14,80	17,20	19,60	20,10
		1600	1606	1632	-	-	1400	16,80	19,50	22,20	22,70
1800	1806	1832	-	-	1600	18,80	21,80	24,80	25,30		

Order details: Roller D108x380/6204/Type1-G14




Rollers Ø133

Shaft Ø	20	25	30	30
Bearing	6204	6305	6206	6306

S = 3,0 mm / S = 4,0 mm
Larger wall thickness available






Weight (kg) S=4,0 mm

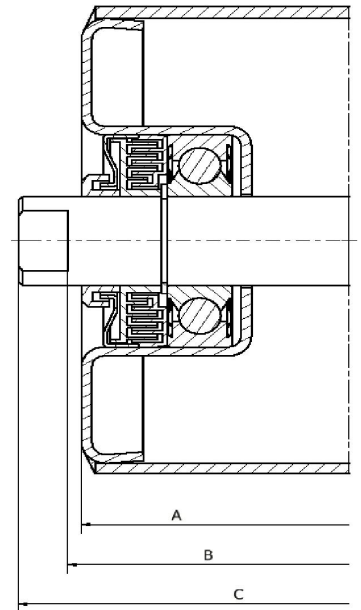
Ø	Bearing	A	B	C				6204	6305	6206	6306	
133	6204 – 6305 – 6206 – 6306	165	171	191	400	-	-	3,59	4,17	4,44	4,83	
		200	206	226	500	-	-	4,10	4,73	5,06	5,45	
		250	256	276	650	400	-	-	4,83	5,53	5,94	6,33
		315	321	341	800	500	-	-	5,78	6,57	7,09	7,48
		380	386	406	1000	650	-	-	6,73	7,61	8,24	8,63
		465	471	491	1200	800	-	-	7,98	8,97	9,75	10,10
		500	506	532	-	-	400	-	8,50	9,56	10,40	10,80
		600	606	632	1600	1000	500	-	9,96	11,20	12,20	12,60
		700	706	732	-	1200	-	-	11,40	12,80	13,90	14,30
		750	756	782	2000	-	650	-	12,20	13,60	14,80	15,20
		950	956	982	-	-	800	-	15,10	16,80	18,40	18,80
		1150	1156	1182	-	2000	1000	-	18,00	20,00	21,90	22,30
		1400	1406	1432	-	-	1200	-	21,70	24,00	26,30	26,70
		1600	1606	1632	-	-	1400	-	24,60	27,20	29,90	30,30
1800	1806	1832	-	-	1600	-	27,50	30,40	33,40	33,80		

Order details: Roller D133x380/6204/Type1-G14

Rollers Ø159

Shaft Ø	30	S = 4,5 mm Larger wall thickness available
Bearing	6306	

Ø	Bearing	A	B	C				Weight (kg)
159	6306	165	171	191	400	-	-	5,55
		200	206	226	500	-	-	6,26
		250	256	276	650	400	-	7,27
		315	321	341	800	500	-	8,58
		380	386	406	1000	650	-	9,90
		465	471	491	1200	800	-	11,6
		500	506	532	-	-	400	12,40
		600	606	632	1600	1000	500	14,40
		700	706	732	-	1200	-	16,40
		750	756	782	2000	-	650	17,40
		950	956	982	-	-	800	21,50
		1150	1156	1182	-	2000	1000	25,50
		1400	1406	1432	-	-	1200	30,60
		1600	1606	1632	-	-	1400	34,60
		1800	1806	1832	-	-	1600	38,60



Order details: Roller D159x750/6306/Type1-G14

