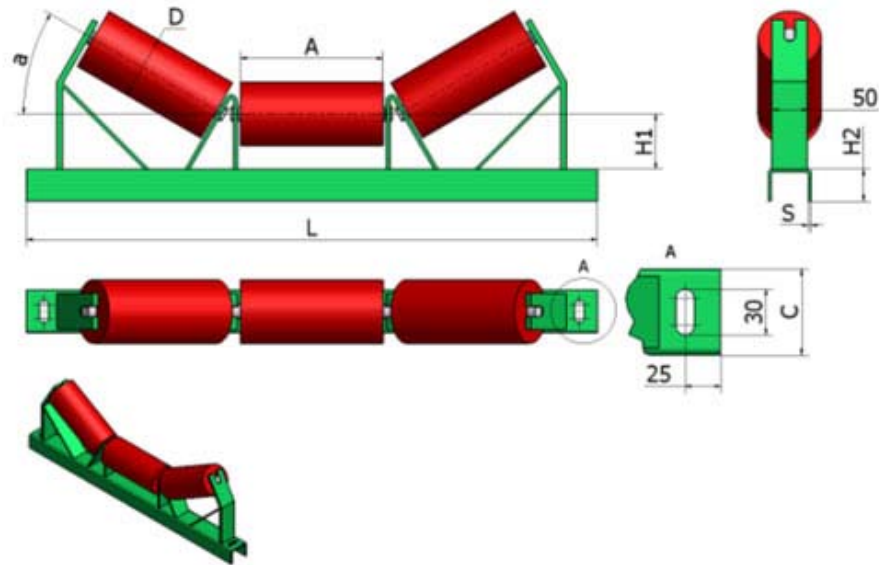


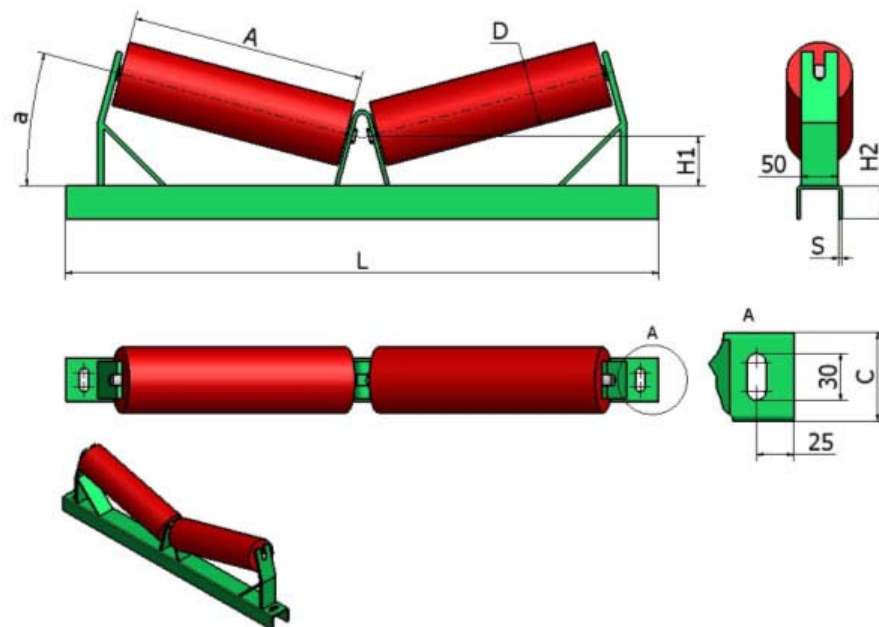
РОЛКОНОСАЧИ

STEEL ROLLER TROUGHS (ROLLER CARRIERS)



Troughing idlers for general conveying applications available with various troughing angles ranging from 10° to 45° according to customer request.

Belt Width	A	L	H1	H2	C	S
400	165	700	77	45	60	4
500	200	800	77	45	60	4
650	250	950	77	45	60	4
800	315	1150	77	45	60	4
1000	380	1350	77	50	100	5
1200	465	1600	77	50	100	5



Troughing idlers with two rollers are generally used in small conveyors usually with a belt width up to 800mm. Angle varies from 10° to 40°

Belt Width	A	L	H1	H2	C	S
300	200	600	77	45	60	4
400	250	700	77	45	60	4
500	315	800	77	45	60	4
650	380	950	77	45	60	4
800	465	1150	77	45	60	4