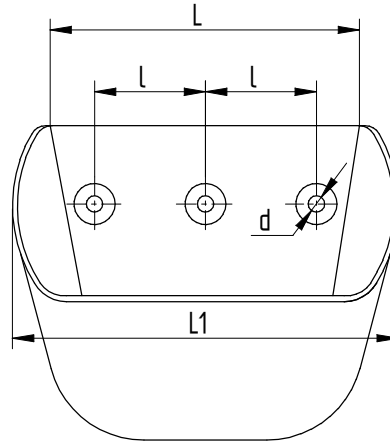
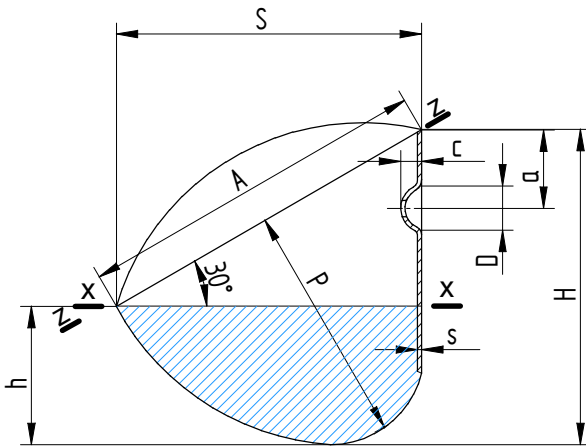
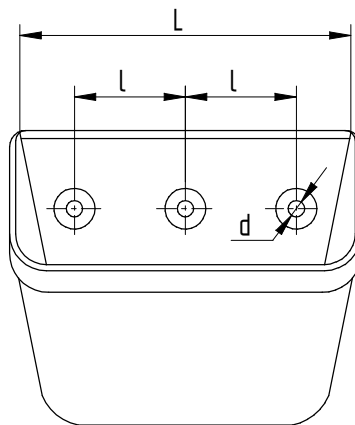
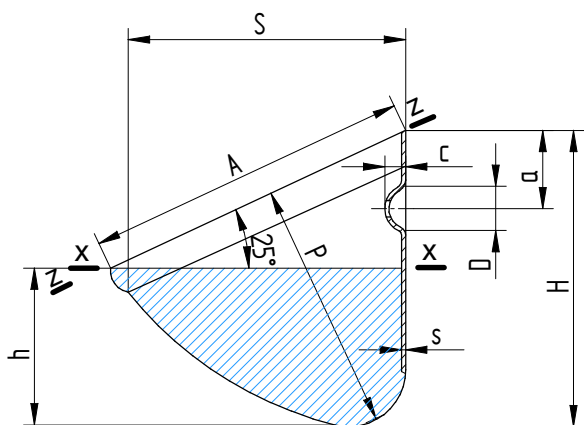


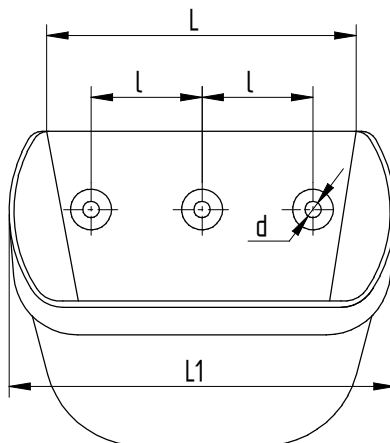
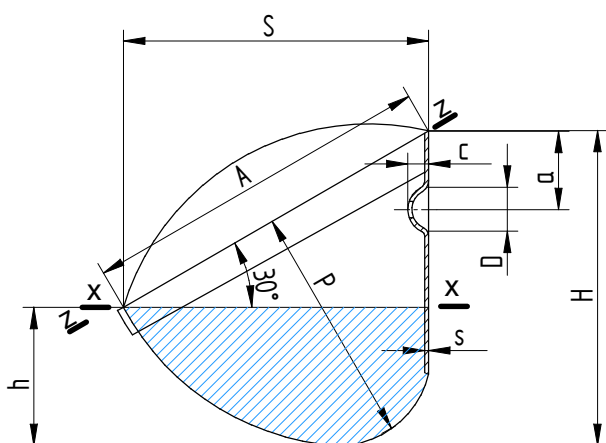
| L mm | S mm | H mm | h mm | A mm | P mm | c mm | a mm | l mm | d mm | D mm | HOLES No. | X-X liters | Z-Z liters | Weight/Thickness | | | Recommened buckets/m No. |
|---------|---------|---------|---------|---------|---------|---------|---------|---------|---------|---------|--------------|---------------|---------------|------------------|-------------|-----------|--------------------------------|
| | | | | | | | | | | | | | | 1mm kg | 1.5mm kg | 2mm kg | |
| 80 | 80 | 80 | 43 | 86 | 66 | 3 | 23 | 40 | 7 | 22 | 2 | 0.14 | 0.25 | 0.14 | | | 10 |
| 100 | 90 | 92 | 49 | 99 | 76 | 3 | 25 | 50 | 8 | 24 | 2 | 0.26 | 0.41 | 0.16 | | | 8 |
| 120 | 100 | 105 | 58 | 110 | 86 | 4 | 26 | 70 | 8 | 25 | 2 | 0.45 | 0.63 | 0.23 | | | 7 |
| 140 | 112 | 117 | 63 | 122 | 97 | 4 | 30 | 90 | 8 | 25 | 2 | 0.60 | 0.96 | 0.30 | | | 6.5 |
| 160 | 124 | 128 | 70 | 136 | 104 | 4 | 35 | 100 | 9 | 28 | 2 | 0.75 | 1.20 | | 0.55 | | 6 |
| 180 | 130 | 135 | 75 | 141 | 112 | 4 | 35 | 115 | 9 | 28 | 2 | 1 | 1.55 | | 0.65 | | 5.5 |
| 200 | 138 | 145 | 80 | 152 | 122 | 5 | 40 | 130 | 9 | 34 | 2 | 1.30 | 2.15 | | 0.80 | | 5 |
| 225 | 144 | 153 | 86 | 157 | 125 | 5 | 45 | 70 | 9 | 34 | 3 | 1.50 | 2.50 | | 0.92 | | 4.5 |
| 250 | 150 | 160 | 90 | 164 | 132 | 6 | 45 | 77 | 9 | 34 | 3 | 1.85 | 3.10 | | 1.05 | | 4.5 |
| 275 | 155 | 165 | 93 | 168 | 136 | 6 | 45 | 95 | 11 | 34 | 3 | 2.30 | 3.70 | | 1.20 | | 4 |
| 300 | 160 | 170 | 95 | 175 | 145 | 6 | 50 | 105 | 11 | 38 | 3 | 2.70 | 4.50 | | 1.34 | | 4 |
| 325 | 172 | 180 | 98 | 191 | 152 | 7 | 55 | 115 | 11 | 38 | 3 | 3.20 | 5.50 | | 1.55 | | 3.5 |
| 350 | 185 | 190 | 104 | 204 | 160 | 7 | 55 | 90 | 11 | 38 | 4 | 3.80 | 6.50 | | 1.77 | | 3.5 |
| 400 | 200 | 207 | 114 | 215 | 173 | 7 | 70 | 100 | 11 | 38 | 4 | 5.30 | 8.70 | | | 2.90 | 3 |



| L mm | L1 mm | S mm | H mm | h mm | A mm | P mm | c mm | a mm | l mm | d mm | D mm | HOLES No. | X-X liters | Z-Z liters | Weight/Thickness | | | Recommened buckets/m No. |
|---------|----------|---------|---------|---------|---------|---------|---------|---------|---------|---------|---------|--------------|---------------|---------------|------------------|-------------|-----------|--------------------------------|
| | | | | | | | | | | | | | | | 1mm kg | 1.5mm kg | 2mm kg | |
| 80 | 91 | 75 | 67 | 24 | 90 | 50 | 3 | 23 | 40 | 8 | 22 | 2 | 0.13 | 0.25 | 0.14 | | | 10 |
| 100 | 114 | 90 | 80 | 31 | 106 | 63 | 3 | 25 | 50 | 8 | 24 | 2 | 0.16 | 0.36 | 0.16 | | | 8 |
| 120 | 133 | 106 | 96 | 36 | 124 | 80 | 4 | 26 | 70 | 8 | 25 | 2 | 0.30 | 0.68 | 0.23 | | | 7 |
| 140 | 153 | 116 | 105 | 39 | 138 | 82 | 4 | 30 | 90 | 8 | 25 | 2 | 0.40 | 0.88 | 0.30 | | | 6.5 |
| 160 | 174 | 125 | 112 | 42 | 148 | 90 | 4 | 35 | 100 | 9 | 28 | 2 | 0.55 | 1.00 | | 0.62 | | 6 |
| 180 | 195 | 133 | 120 | 46 | 159 | 97 | 4 | 35 | 115 | 9 | 28 | 2 | 0.65 | 1.45 | | 0.75 | | 5.5 |
| 200 | 217 | 141 | 127 | 48 | 165 | 105 | 5 | 40 | 130 | 9 | 34 | 2 | 0.80 | 1.85 | | 0.90 | | 5 |
| 225 | 240 | 150 | 134 | 51 | 176 | 106 | 5 | 45 | 70 | 9 | 34 | 3 | 1.10 | 2.30 | | 1.00 | | 4.5 |
| 250 | 265 | 160 | 142 | 53 | 187 | 114 | 6 | 45 | 77 | 9 | 34 | 3 | 1.40 | 3.00 | | 1.10 | | 4.5 |
| 275 | 292 | 170 | 151 | 57 | 196 | 122 | 6 | 45 | 95 | 11 | 34 | 3 | 1.80 | 3.60 | | 1.35 | | 4 |
| 300 | 317 | 178 | 158 | 60 | 207 | 128 | 6 | 50 | 105 | 11 | 38 | 3 | 2.00 | 4.20 | | 1.60 | | 4 |
| 325 | 344 | 185 | 166 | 64 | 215 | 134 | 7 | 55 | 115 | 11 | 38 | 3 | 2.40 | 5.50 | | 1.80 | | 3.5 |
| 350 | 370 | 192 | 173 | 66 | 223 | 140 | 7 | 55 | 90 | 11 | 38 | 4 | 2.75 | 6.25 | | 2.05 | | 3.5 |
| 400 | 422 | 200 | 180 | 70 | 232 | 146 | 7 | 70 | 100 | 11 | 38 | 4 | 3.50 | 7.75 | | | 3.20 | 3 |



| L mm | S mm | H mm | h mm | A mm | P mm | c mm | a mm | l mm | d mm | D mm | HOLES No. | s mm | X-X liters | Z-Z liters | Weight | | Recommened buckets/m No. |
|---------|---------|---------|---------|---------|---------|---------|---------|---------|---------|---------|--------------|---------|---------------|---------------|--------------------|-------------|--------------------------------|
| | | | | | | | | | | | | | | | Polyethylene kg | Nylon kg | |
| 80 | 80 | 80 | 43 | 88 | 61 | 6 | 23 | 40 | 8 | 22 | 2 | 3.5 | 0.13 | 0.23 | 0.05 | 0.06 | 10 |
| 100 | 92 | 92 | 49 | 101 | 71 | 7 | 25 | 50 | 8 | 26 | 2 | 3.5 | 0.24 | 0.38 | 0.07 | 0.09 | 8 |
| 120 | 102 | 105 | 58 | 108 | 81 | 7 | 26 | 70 | 8 | 28 | 2 | 3.5 | 0.39 | 0.58 | 0.10 | 0.13 | 7 |
| 140 | 114 | 117 | 63 | 125 | 91 | 7 | 30 | 90 | 9 | 28 | 2 | 3.75 | 0.52 | 0.85 | 0.15 | 0.18 | 6.5 |
| 160 | 126 | 128 | 70 | 138 | 101 | 7 | 35 | 100 | 9 | 30 | 2 | 4.0 | 0.76 | 1.20 | 0.20 | 0.25 | 6 |
| 180 | 132 | 135 | 75 | 145 | 105 | 8 | 35 | 115 | 10 | 35 | 2 | 4.5 | 0.95 | 1.60 | 0.28 | 0.35 | 5.5 |
| 200 | 140 | 145 | 80 | 155 | 113 | 10 | 40 | 130 | 10 | 35 | 2 | 5.25 | 1.20 | 2.00 | 0.34 | 0.42 | 5 |
| 225 | 145 | 153 | 86 | 163 | 120 | 10 | 45 | 70 | 11 | 38 | 3 | 5.75 | 1.35 | 2.30 | 0.36 | 0.44 | 4.5 |
| 250 | 152 | 160 | 90 | 172 | 125 | 11 | 45 | 77 | 11 | 38 | 3 | 6.25 | 1.65 | 2.80 | 0.43 | 0.54 | 4.5 |
| 275 | 156 | 165 | 93 | 180 | 130 | 11 | 45 | 95 | 11 | 44 | 3 | 7.0 | 2.20 | 3.25 | 0.54 | 0.66 | 4 |
| 300 | 163 | 170 | 95 | 185 | 135 | 11 | 50 | 105 | 11 | 44 | 3 | 8.0 | 2.60 | 4.00 | 0.70 | 0.83 | 4 |
| 325 | 175 | 180 | 98 | 200 | 140 | 13 | 55 | 115 | 12.5 | 48 | 3 | 8.25 | 3.20 | 5.00 | 0.90 | 1.15 | 3.5 |
| 350 | 190 | 190 | 104 | 213 | 150 | 14 | 55 | 90 | 12.5 | 48 | 4 | 8.75 | 3.50 | 6.00 | 1.10 | 1.40 | 3.5 |
| 400 | 206 | 207 | 114 | 233 | 160 | 14 | 70 | 100 | 12.5 | 48 | 4 | 10.5 | 5.00 | 8.00 | 1.50 | 1.90 | 3 |



| L mm | L1 mm | S mm | H mm | h mm | A mm | P mm | c mm | a mm | l mm | d mm | D mm | HOLES No. | s mm | X-X liters | Z-Z liters | Weight | | Recommended buckets/m No. |
|---------|----------|---------|---------|---------|---------|---------|---------|---------|---------|---------|---------|--------------|---------|---------------|---------------|--------------------|-------------|---------------------------------|
| | | | | | | | | | | | | | | | | Polyethylene kg | Nylon kg | |
| 80 | 88 | 77 | 68 | 24 | 90 | 45 | 6 | 23 | 40 | 8 | 22 | 2 | 3.5 | 0.11 | 0.24 | 0.05 | 0.06 | 10 |
| 100 | 108 | 92 | 80 | 31 | 105 | 55 | 7 | 25 | 50 | 8 | 26 | 2 | 3.5 | 0.15 | 0.32 | 0.07 | 0.09 | 8 |
| 120 | 128 | 108 | 98 | 36 | 125 | 65 | 7 | 26 | 70 | 8 | 30 | 2 | 3.5 | 0.24 | 0.54 | 0.11 | 0.14 | 7 |
| 140 | 148 | 118 | 107 | 38 | 140 | 76 | 7 | 30 | 90 | 9 | 30 | 2 | 3.75 | 0.32 | 0.84 | 0.16 | 0.21 | 6.5 |
| 160 | 168 | 127 | 113 | 42 | 142 | 76 | 7 | 35 | 100 | 9 | 32 | 2 | 4.0 | 0.45 | 1.00 | 0.22 | 0.28 | 6 |
| 180 | 188 | 135 | 120 | 46 | 155 | 79 | 8 | 35 | 115 | 10 | 35 | 2 | 4.5 | 0.60 | 1.40 | 0.27 | 0.33 | 5.5 |
| 200 | 206 | 143 | 127 | 48 | 160 | 90 | 10 | 40 | 130 | 10 | 35 | 2 | 5.25 | 0.70 | 1.70 | 0.33 | 0.42 | 5 |
| 225 | 230 | 152 | 134 | 51 | 176 | 96 | 10 | 45 | 70 | 11 | 40 | 3 | 5.75 | 0.90 | 2.00 | 0.36 | 0.43 | 4.5 |
| 250 | 260 | 161 | 142 | 53 | 185 | 103 | 10 | 45 | 77 | 11 | 40 | 3 | 6.25 | 1.10 | 2.60 | 0.45 | 0.53 | 4.5 |
| 275 | 285 | 172 | 151 | 57 | 200 | 110 | 11 | 50 | 95 | 11 | 42 | 3 | 7.0 | 1.40 | 3.10 | 0.60 | 0.65 | 4 |
| 300 | 310 | 178 | 158 | 60 | 210 | 118 | 11 | 50 | 105 | 11 | 44 | 3 | 8.0 | 1.80 | 3.80 | 0.68 | 0.82 | 4 |
| 325 | 340 | 188 | 167 | 64 | 216 | 118 | 13 | 55 | 115 | 12.5 | 46 | 3 | 8.25 | 2.10 | 5.00 | 1.00 | 1.15 | 3.5 |
| 350 | 370 | 195 | 173 | 63 | 230 | 120 | 14 | 55 | 90 | 12.5 | 46 | 4 | 8.75 | 2.40 | 5.65 | 1.10 | 1.35 | 3.5 |
| 400 | 420 | 204 | 180 | 67 | 240 | 125 | 14 | 70 | 100 | 12.5 | 46 | 4 | 10.5 | 3.00 | 7.00 | 1.50 | 1.85 | 3 |