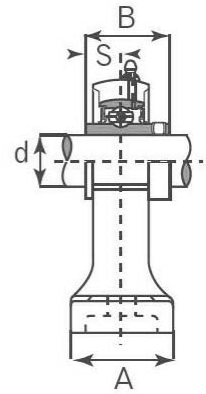
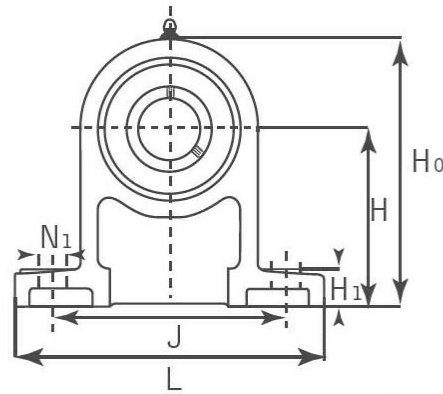


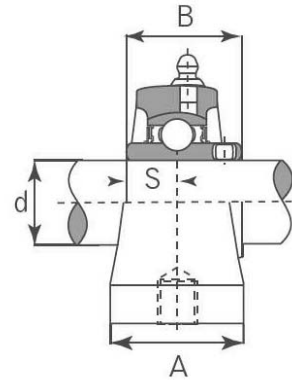
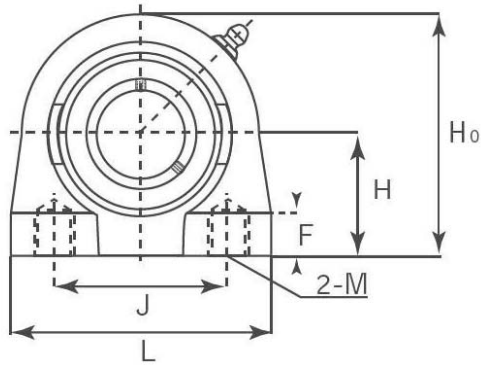
UCP

Unit No.	Dimensions(mm)											Bolt	Bearing	Kg.
	d	H	L	J	A	N	N ₁	H ₁	H ₀	B	S			
UCP 201	12	30.2	127	95	38	13	19	14	60	31	12.7	M10	UC201	0.66
UCP 202	15	30.2	127	95	38	13	19	14	60	31	12.7	M10	UC202	0.65
UCP 203	17	30.2	127	95	38	13	19	14	60	31	12.7	M10	UC203	0.64
UCP 204	20	33.3	127	95	38	13	19	15	63	31	12.7	M10	UC204	0.70
UCP 205	25	36.5	140	105	38	13	19	16	70	34	14.3	M10	UC205	0.85
UCP 206	30	42.9	165	121	48	17	21	17	83	38.1	15.9	M14	UC206	1.35
UCP 207	35	47.6	167	127	48	17	21	19	92	42.9	17.5	M14	UC207	1.65
UCP 208	40	49.2	184	137	54	17	21	19	98	49.2	19.0	M14	UC208	2.10
UCP 209	45	54.0	190	146	54	17	21	20	106	49.2	19.0	M14	UC209	2.35
UCP 210	50	57.2	206	159	60	20	22	22	112	51.6	19.0	M16	UC210	2.96
UCP 211	55	63.5	219	171	60	20	22	22	125	55.6	22.2	M16	UC211	3.70
UCP 212	60	69.8	241	184	70	20	25	25	137	65.1	25.4	M16	UC212	5.00
UCP 213	65	76.2	265	203	70	25	28	27	150	65.1	25.4	M20	UC213	5.19
UCP 214	70	79.4	266	210	72	25	28	27	156	74.6	30.2	M20	UC214	6.50
UCP 215	75	82.6	275	217	74	25	28	28	162	77.8	33.3	M20	UC215	7.16
UCP 216	80	88.9	292	232	78	25	28	30	174	82.6	34.1	M20	UC216	8.10
UCP 217	85	95.2	310	247	83	25	28	32	185	85.7	34.1	M20	UC217	9.81
UCP 218	90	101.6	327	262	88	27	30	33	198	96.1	39.7	M20	UC218	11.9



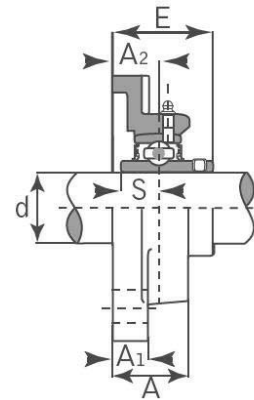
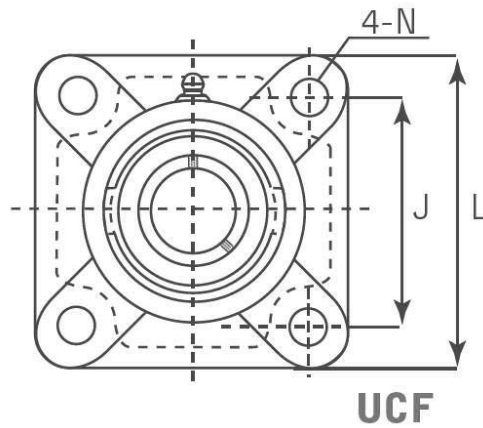
UCPH

Unit No.	Dimensions(mm)											Bolt	Bearing	Kg.
	d	H	L	J	A	N	N ₁	H ₁	H ₀	B	S			
UCPH 201	12	70	127	95	40	13	19	15	101	31	12.7	M10	UC201	0.81
UCPH 202	15	70	127	95	40	13	19	15	101	31	12.7	M10	UC202	0.80
UCPH 203	17	70	127	95	40	13	19	15	101	31	12.7	M10	UC203	0.79
UCPH 204	20	70	127	95	40	13	19	15	101	31	12.7	M10	UC204	0.77
UCPH 205	25	80	140	105	50	13	19	16	114	34	14.3	M10	UC205	1.01
UCPH 206	30	90	165	121	50	17	21	17	130	38.1	15.9	M14	UC206	1.47
UCPH 207	35	95	167	127	60	17	21	18	140	42.9	17.5	M14	UC207	1.91
UCPH 208	40	100	184	137	70	17	21	19	150	49.2	19.0	M14	UC208	2.52
UCPH 209	45	105	190	146	70	17	21	20	158	49.2	19.0	M14	UC209	2.72
UCPH 210	50	110	206	159	70	20	23	21	165	51.6	19.0	M16	UC210	3.10
UCPH 211	55	120	219	171	75	20	23	22	181	55.6	22.2	M16	UC211	5.51
UCPH 212	60	130	241	184	85	20	23	25	197	65.1	25.4	M16	UC212	6.34
UCPH 213	65	140	265	203	95	25	28	27	212	65.1	25.4	M20	UC213	7.45
UCPH 214	70	150	266	210	105	25	28	28	225	74.6	30.2	M20	UC214	8.25
UCPH 215	75	160	275	217	115	25	28	29	238	77.8	33.3	M20	UC215	9.61
UCPH 216	80	170	292	232	125	25	28	30	253	82.6	34.1	M20	UC216	10.8

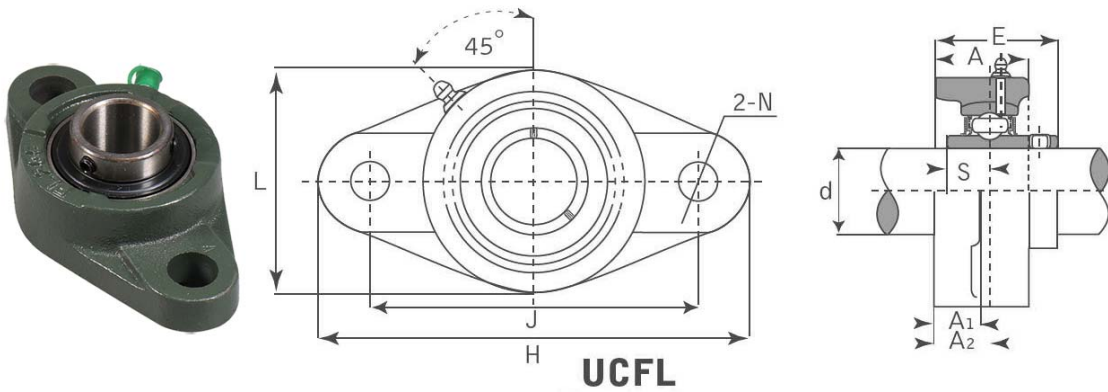


UCRA

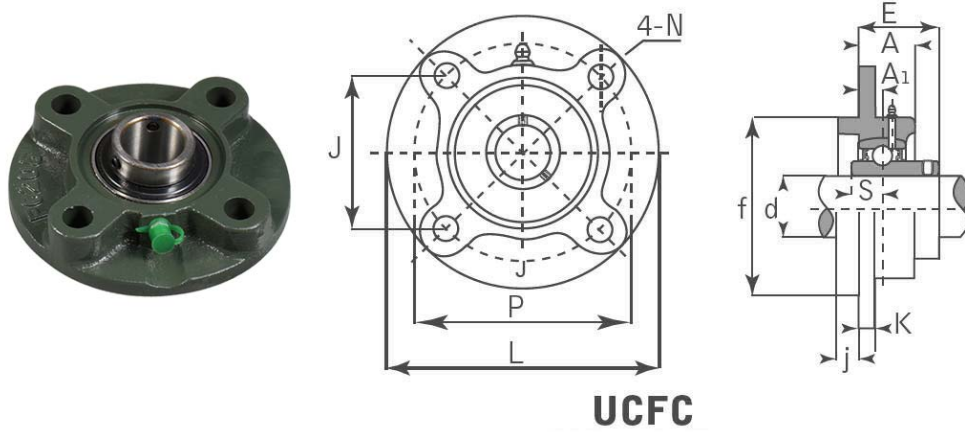
Unit No.	Dimensions(mm)										Bolt	Bearing	Kg.
	d	H	L	J	A	H ₀	N	F	B	S			
UCRA 201	12	30.2	76	52	40	62	15	11	31	12.7	M10	UC201	0.60
UCRA 202	15	30.2	76	52	40	62	15	11	31	12.7	M10	UC202	0.59
UCRA 203	17	30.2	76	52	40	62	15	11	31	12.7	M10	UC203	0.58
UCRA 204	20	30.2	76	52	40	62	15	11	31	12.7	M10	UC204	0.56
UCRA 205	25	36.5	84	56	45	72	15	12	34	14.3	M10	UC205	0.83
UCRA 206	30	42.9	94	66	50	84	18	12	38.1	15.9	M14	UC206	1.12
UCRA 207	35	47.6	110	80	55	95	20	13	42.9	17.5	M14	UC207	1.48
UCRA 208	40	49.2	116	84	58	100	20	13	49.2	19.0	M14	UC208	1.89
UCRA 209	45	54.2	120	90	60	108	25	13	49.2	19.0	M14	UC209	1.98
UCRA 210	50	57.2	130	94	64	116	25	14	51.6	19.0	M16	UC210	2.16
UCRA 211	55	63.5	140	104	66	125	25	14	55.6	22.2	M16	UC211	3.26
UCRA 212	60	69.8	150	114	68	138	25	15	65.1	25.4	M16	UC212	4.19
UCRA 213	65	76.2	160	124	70	150	25	15	65.1	25.4	M16	UC213	5.08



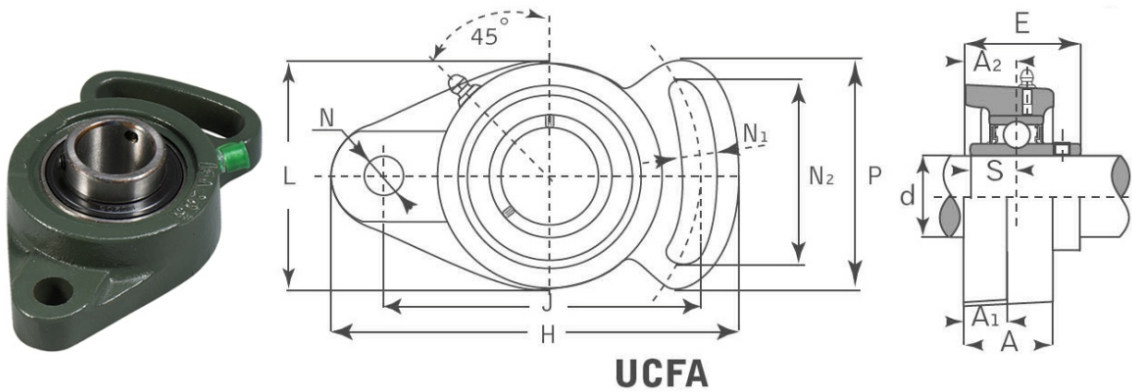
Unit No.	Dimensions(mm)								Bolt	Bearing	Kg.
	d	L	J	A	A ₁	N	E	S			
UCF 201	12	86	64	25.4	12	12	33.3	12.7	M10	UC201	0.65
UCF 202	15	86	64	25.4	12	12	33.3	12.7	M10	UC202	0.64
UCF 203	17	86	64	25.5	12	12	33.3	12.7	M10	UC203	0.63
UCF 204	20	86	64	25.5	12	12	33.3	12.7	M10	UC204	0.61
UCF 205	25	95	70	27.0	14	12	35.7	14.3	M10	UC205	0.90
UCF 206	30	108	83	31.0	14	12	40.2	15.9	M10	UC206	1.20
UCF 207	35	117	92	34.0	16	14	44.4	17.5	M12	UC207	1.55
UCF 208	40	130	102	36.0	16	16	51.2	19.0	M14	UC208	2.00
UCF 209	45	137	105	38.0	18	16	52.2	19.0	M14	UC209	2.36
UCF 210	50	143	111	40.0	18	16	54.6	19.0	M14	UC210	2.64
UCF 211	55	162	130	43.0	20	19	58.4	22.2	M16	UC211	3.51
UCF 212	60	175	143	48.0	20	19	68.7	25.4	M16	UC212	4.80
UCF 213	65	187	149	50.0	20	19	69.7	25.4	M16	UC213	5.80
UCF 214	70	193	152	54.0	22	19	75.4	30.2	M16	UC214	5.90
UCF 215	75	200	159	56.0	22	19	78.5	33.3	M16	UC215	6.91
UCF 216	80	208	165	58.0	22	23	83.3	33.3	M20	UC216	7.50
UCF 217	85	220	175	63.0	24	23	87.6	34.1	M20	UC217	9.66
UCF 218	90	235	187	68.0	24	23	96.3	39.7	M20	UC218	12.1



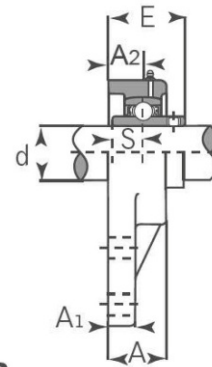
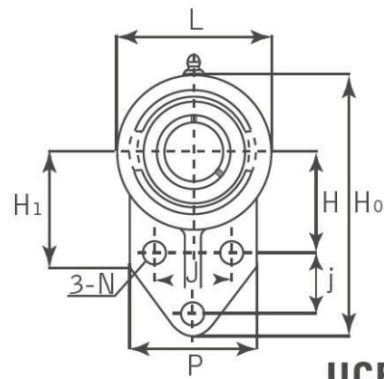
Unit No.	Dimensions(mm)										Bolt	Bearing	Kg.
	d	H	J	A ₂	A ₁	A	N	L	E	S			
UCFL 201	12	113	90	15	11	25.5	12	60	33.3	12.7	M10	UC201	0.51
UCFL 202	15	113	90	15	11	25.5	12	60	33.3	12.7	M10	UC202	0.48
UCFL 203	17	113	90	15	11	25.5	12	60	33.3	12.7	M10	UC203	0.50
UCFL 204	20	113	90	15	11	25.5	12	60	33.3	12.7	M10	UC204	0.49
UCFL 205	25	130	99	16	13	27	16	68	35.7	14.3	M14	UC205	0.65
UCFL 206	30	148	117	18	13	31	16	80	40.2	15.9	M14	UC206	0.98
UCFL 207	35	161	130	19	14	34	16	90	44.4	17.5	M14	UC207	1.25
UCFL 208	40	175	144	21	14	36	16	100	51.2	19.0	M14	UC208	1.65
UCFL 209	45	188	148	22	15	38	19	108	52.2	19.0	M16	UC209	1.95
UCFL 210	50	197	157	22	15	40	19	115	54.6	19.0	M16	UC210	2.25
UCFL 211	55	224	184	25	18	43	19	130	58.4	22.2	M16	UC211	3.30
UCFL 212	60	250	202	29	18	48	23	140	68.7	25.4	M20	UC212	4.25
UCFL 213	65	258	210	30	22	50	23	155	69.7	25.4	M20	UC213	5.30
UCFL 214	70	265	216	31	22	54	23	160	75.4	30.2	M20	UC214	5.32
UCFL 215	75	275	225	34	22	56	23	165	78.5	33.3	M20	UC215	5.62
UCFL 216	80	290	233	34	22	58	25	180	83.3	33.3	M22	UC216	7.38
UCFL 217	85	305	248	36	24	63	25	190	87.6	34.1	M22	UC217	8.83
UCFL 218	90	320	265	40	24	68	25	205	96.3	39.7	M22	UC218	10.5



Unit No.	Dimensions(mm)												Bolt	Bearing	Kg.
	d	P	L	J	A ₁	N	j	K	A	f	E	S			
UCFC 201	12	78	100	55.1	10	12	5	7	20.5	62	28.3	12.7	M10	UC201	0.73
UCFC 202	15	78	100	55.1	10	12	5	7	20.5	62	28.3	12.7	M10	UC202	0.72
UCFC 203	17	78	100	55.1	10	12	5	7	20.5	62	28.3	12.7	M10	UC203	0.71
UCFC 204	20	78	100	55.1	10	12	5	7	20.5	62	28.3	12.7	M10	UC204	0.69
UCFC 205	25	90	115	63.6	10	12	6	7	21	70	29.8	14.3	M10	UC205	1.01
UCFC 206	30	100	125	70.7	10	12	8	8	23	80	32.2	15.9	M10	UC206	1.30
UCFC 207	35	110	135	77.8	11	14	8	9	26	90	36.4	17.5	M12	UC207	1.81
UCFC 208	40	120	145	84.8	11	14	10	9	26	100	41.2	19.0	M12	UC208	2.14
UCFC 209	45	132	160	93.3	10	16	12	14	26	105	40.2	19.0	M14	UC209	2.68
UCFC 210	50	138	165	97.6	10	16	12	14	28	110	42.6	19.0	M14	UC210	2.90
UCFC 211	55	150	185	106.1	13	19	12	15	31	125	46.4	22.2	M16	UC211	4.01
UCFC 212	60	160	195	113.1	17	19	12	15	36	135	56.7	25.4	M16	UC212	4.94
UCFC 213	65	170	205	120.2	16	19	14	15	36	145	55.7	25.4	M16	UC213	5.65
UCFC 214	70	177	215	125.1	17	19	14	18	40	150	61.4	30.2	M16	UC214	6.95
UCFC 215	75	184	220	130.1	18	19	16	18	40	160	62.5	33.3	M16	UC215	7.56
UCFC 216	80	200	240	141.4	18	23	16	18	42	170	67.3	34.1	M20	UC216	9.15
UCFC 217	85	208	250	147.1	18	23	18	20	45	180	69.6	34.1	M20	UC217	10.8
UCFC 218	90	220	265	155.5	22	23	18	20	50	190	78.3	39.7	M20	UC218	12.9

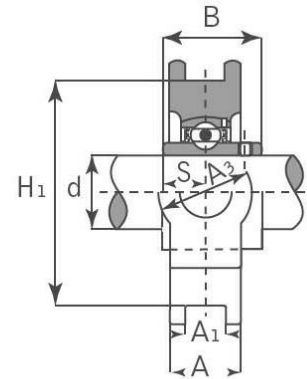
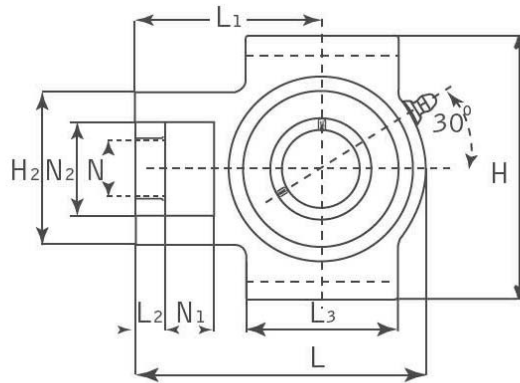


Unit No.	Dimensions(mm)														Bolt	Bearing	Kg.
	d	H	J	A ₂	A ₁	A	N	L	E	N ₂	P	S	N ₁				
UCFA 201	12	98	78	15	12	25.5	10	60	33.3	40	50	12.7	10	M8	UC201	0.50	
UCFA 202	15	98	78	15	12	25.5	10	60	33.3	40	50	12.7	10	M8	UC202	0.49	
UCFA 203	17	98	78	15	12	25.5	10	60	33.3	40	50	12.7	10	M8	UC203	0.48	
UCFA 204	20	98	78	15	12	25.5	10	60	33.3	40	50	12.7	10	M8	UC204	0.46	
UCFA 205	25	124	98	16	14	27	13	70	35.8	51	65	14.3	13	M10	UC205	0.66	
UCFA 206	30	141	115	18	14	31	13	83	40.2	58	72	15.9	13	M10	UC206	0.93	
UCFA 207	35	155	128	19	16	34	15	96	44.4	66	82	17.5	15	M12	UC207	1.46	
UCFA 208	40	171	142	21	16	38	15	105	51.2	71	87	19.0	15	M12	UC208	1.78	
UCFA 209	45	179	146	22	18	40	17	111	52.2	72	90	19.0	17	M14	UC209	2.03	
UCFA 210	50	189	155	22	18	40	17	116	54.6	76	94	19.0	17	M14	UC210	2.23	
UCFA 211	55	216	182	25	20	44	17	133	58.4	86	104	22.2	17	M14	UC211	3.41	
UCFA 212	60	240	202	29	20	48	19	140	68.7	100	118	25.4	19	M16	UC212	4.14	
UCFA 213	65	250	210	30	20	50	19	155	69.7	102	122	25.4	19	M16	UC213	5.35	



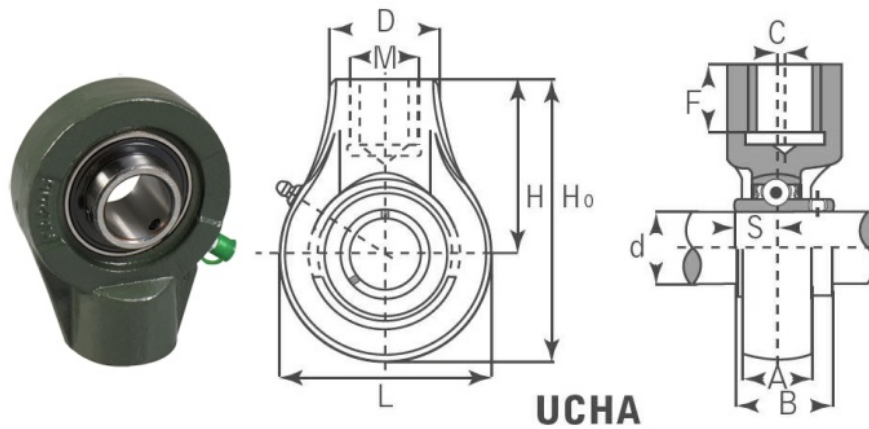
UCFB

Unit No.	Dimensions(mm)														Bolt	Bearing	Kg.
	d	H ₀	L	H ₁	P	A	N	A ₁	H	j	J	A ₂	E	S			
UCFB 201	12	110	62	52	52	25.5	10	13	42	27	32	15	33.3	12.7	M8	UC201	0.58
UCFB 202	15	110	62	52	52	25.5	10	13	42	27	32	15	33.3	12.7	M8	UC202	0.57
UCFB 203	17	110	62	52	52	25.5	10	13	42	27	32	15	33.3	12.7	M8	UC203	0.56
UCFB 204	20	110	62	52	52	25.5	10	13	42	27	32	15	33.3	12.7	M8	UC204	0.54
UCFB 205	25	116	68	52	56	27	10	13	45	27	34	16	35.8	14.3	M8	UC205	0.79
UCFB 206	30	130	78	55	65	31	10	13	50	29	40	18	40.2	15.9	M8	UC206	0.95
UCFB 207	35	144	90	62	70	34	10	15	55	32	46	19	44.4	17.5	M8	UC207	1.29
UCFB 208	40	164	100	72	78	36	12	16	60	41	50	21	51.2	19.0	M10	UC208	1.78
UCFB 209	45	174	106	76	80	38	12	18	65	43	54	22	52.2	19.0	M10	UC209	1.91
UCFB 210	50	184	112	82	86	40	12	18	68	46	58	22	54.6	19.0	M10	UC210	2.36
UCFB 211	55	207	130	86	90	43	14	18	78	50	62	25	58.4	22.2	M12	UC211	3.15
UCFB 212	60	223	140	90	94	48	14	18	84	55	66	29	68.7	25.4	M12	UC212	3.99
UCFB 213	65	244	155	94	100	50	14	20	92	60	70	30	69.7	25.4	M12	UC213	5.21



UCT

Unit No.	Dimensions(mm)															Bearing Kg.		
	d	N ₁	L ₂	H ₂	N ₂	N	L ₃	A ₁	H ₁	H	L	A	A ₃	L ₁	B		S	
UCT 201	12	16	10	51	32	19	51	12	76	89	94	32	21	61	31	12.7	UC201	0.82
UCT 202	15	16	10	51	32	19	51	12	76	89	94	32	21	61	31	12.7	UC202	0.81
UCT 203	17	16	10	51	32	19	51	12	76	89	94	32	21	61	31	12.7	UC203	0.80
UCT 204	20	16	10	51	32	19	51	12	76	89	94	32	21	61	31	12.7	UC204	0.78
UCT 205	25	16	10	51	32	19	51	12	76	89	97	32	24	62	34	14.3	UC205	0.82
UCT 206	30	16	10	56	37	22	57	12	89	102	113	37	28	70	38.1	15.9	UC206	1.28
UCT 207	35	16	13	64	37	22	64	12	89	102	129	37	30	78	42.9	17.5	UC207	1.70
UCT 208	40	19	16	83	49	29	83	16	102	114	144	49	33	88	49.2	19.0	UC208	2.42
UCT 209	45	19	16	83	49	29	83	16	102	117	144	49	35	87	49.2	19.0	UC209	2.52
UCT 210	50	19	16	83	49	29	86	16	102	117	149	49	37	90	51.6	19.0	UC210	2.70
UCT 211	55	25	19	102	64	35	95	22	130	146	171	64	38	106	55.6	22.2	UC211	4.10
UCT 212	60	32	19	102	64	35	102	22	130	146	194	64	42	119	65.1	25.4	UC212	5.20
UCT 213	65	32	21	111	70	41	121	26	151	167	224	70	44	137	65.1	25.4	UC213	7.05
UCT 214	70	32	21	111	70	41	121	26	151	167	224	70	46	137	74.6	30.2	UC214	7.26
UCT 215	75	32	21	111	70	41	121	26	151	167	232	70	48	140	77.8	33.3	UC215	7.66
UCT 216	80	32	21	111	70	41	121	26	165	184	235	70	51	140	82.6	34.1	UC216	8.30
UCT 217	85	38	29	124	73	48	157	30	173	198	260	73	54	162	85.7	34.1	UC217	11.0



Unit No.	Dimensions(mm)										Bearing	Kg.
	d	H	L	H ₀	C	D	F	M	B	S		
UCHA 201	12	64	64	96	0	40	19	G-3/4"	31	12.7	UC201	0.77
UCHA 202	15	64	64	96	0	40	19	G-3/4"	31	12.7	UC202	0.75
UCHA 203	17	64	64	96	0	40	19	G-3/4"	31	12.7	UC203	0.74
UCHA 204	20	64	64	96	0	40	19	G-3/4"	31	12.7	UC204	0.72
UCHA 205	25	64	70	99	0	40	19	G-3/4"	34	14.3	UC205	0.87
UCHA 206	30	64	80	104	0	40	19	G-3/4"	38.1	15.9	UC206	0.83
UCHA 207	35	70	92	116	0	40	19	G-3/4"	42.9	17.5	UC207	1.20
UCHA 208	40	73	96	121	2	40	19	G-3/4"	49.2	19.0	UC208	1.30
UCHA 209	45	82	108	136	4	48	21	G1"	49.2	19.0	UC209	1.70
UCHA 210	50	83	114	140	5	48	21	G1"	51.6	19.0	UC210	2.10
UCHA 211	55	87	126	150	7	60	25	G1-1/4"	55.6	22.2	UC211	2.80
UCHA 212	60	102	142	173	9	60	28	G1-1/4"	65.1	25.4	UC212	3.90
UCHA 213	65	117	166	200	9.5	70	32	G1-1/2"	65.1	25.4	UC213	5.80
UCHA 214	70	117	166	200	9.5	70	32	G1-1/2"	74.6	30.2	UC214	5.90
UCHA 215	75	117	166	200	9.5	70	32	G1-1/2"	77.8	33.3	UC215	5.60