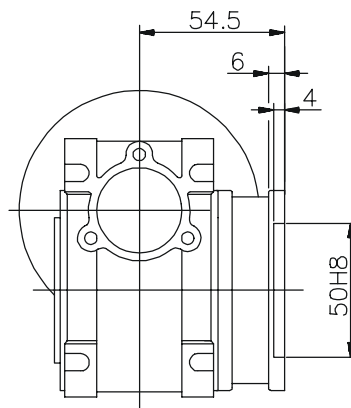
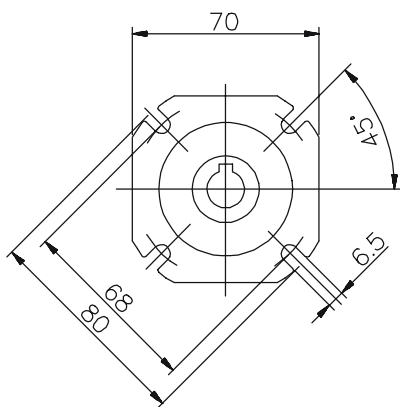
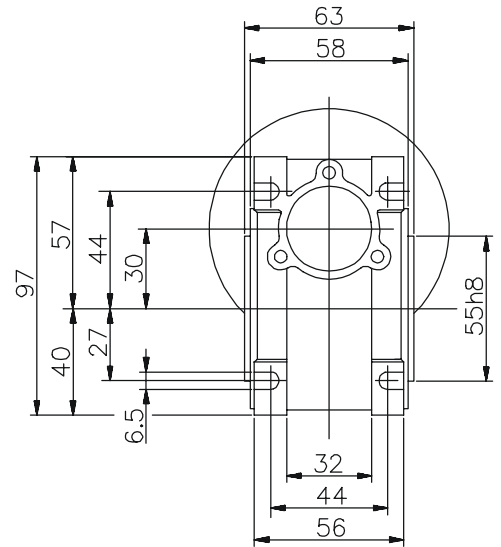
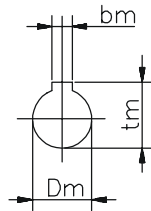
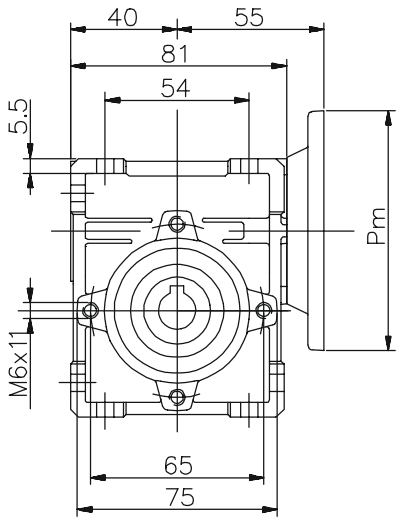




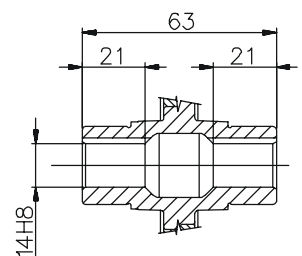
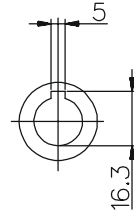
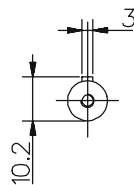
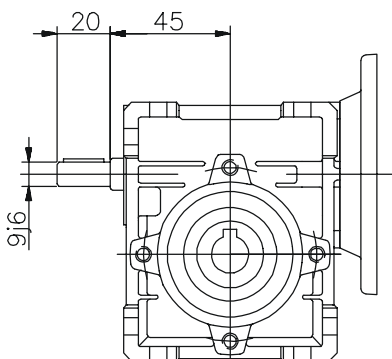
NBR® 030



Тегло без мотора - 1.2 kg

Weight without motor - 1.2 kg

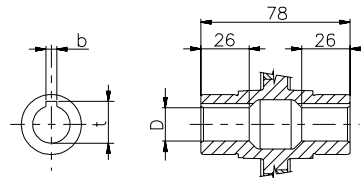
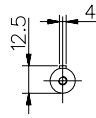
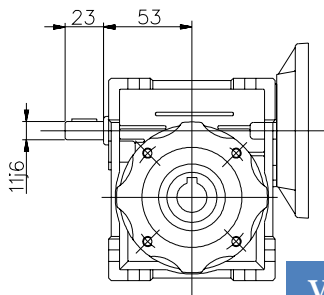
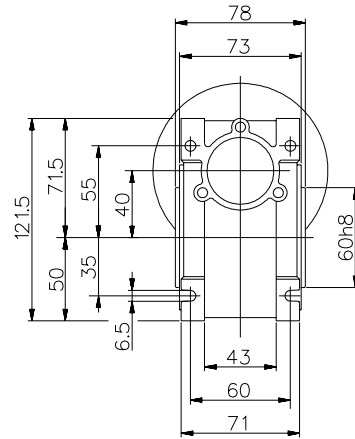
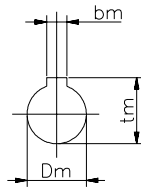
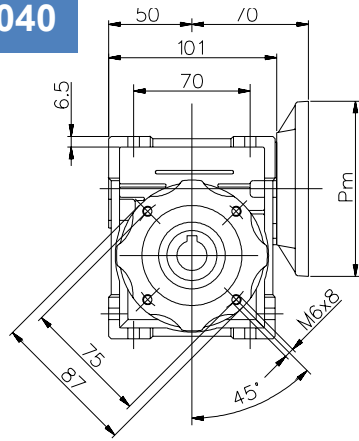
FA



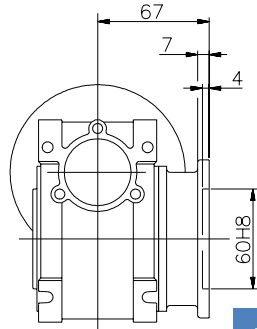
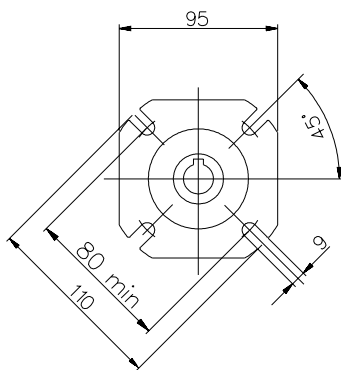
VS



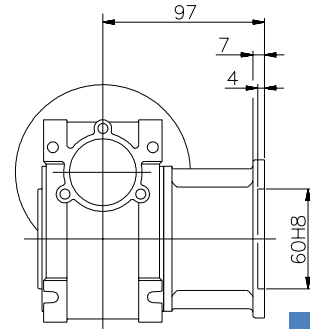
NBR® 040



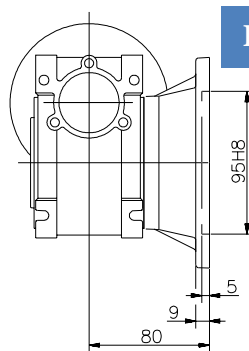
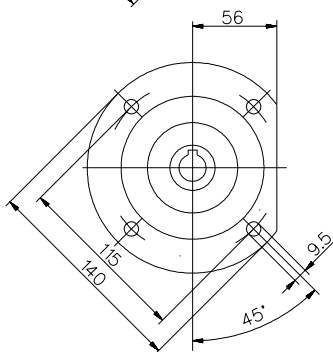
VS



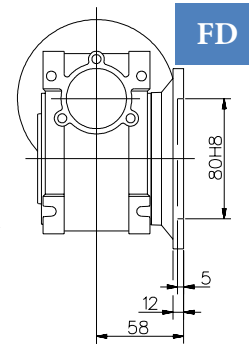
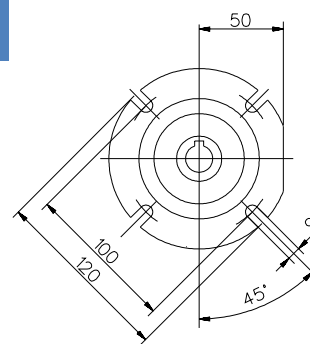
FA



FB



FC



FD

Тегло без мотора - 2.3 kg

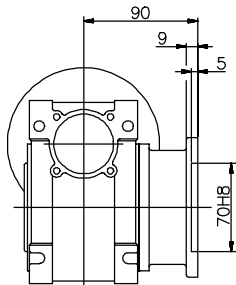
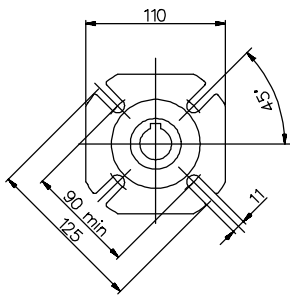
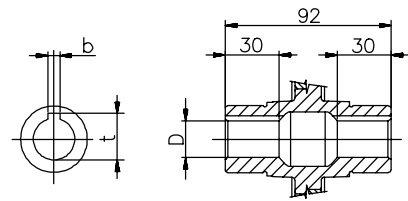
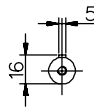
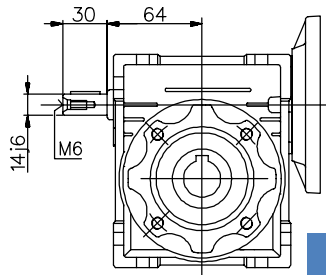
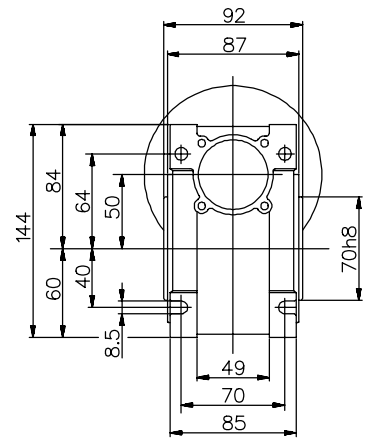
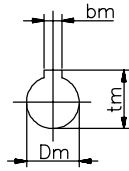
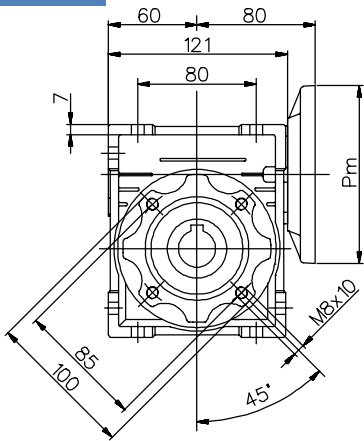
Weight without motor - 2.3 kg

Изходящ кух вал/Output hollow shaft

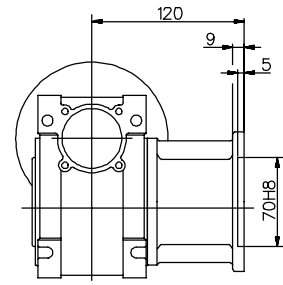
D H8	b	t
18	6	20.8



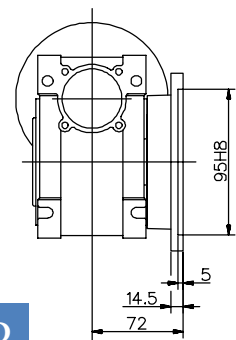
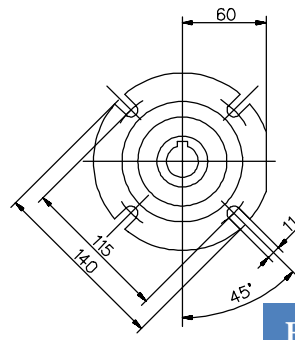
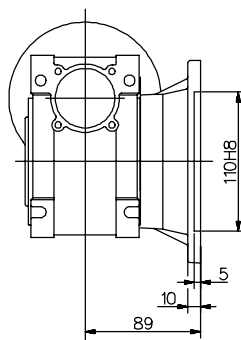
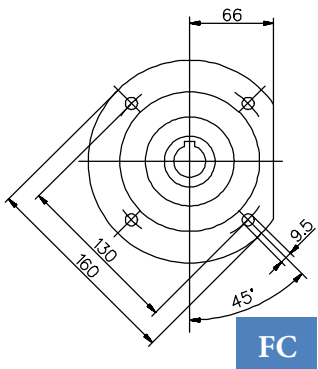
NBR® 050



FA



FB



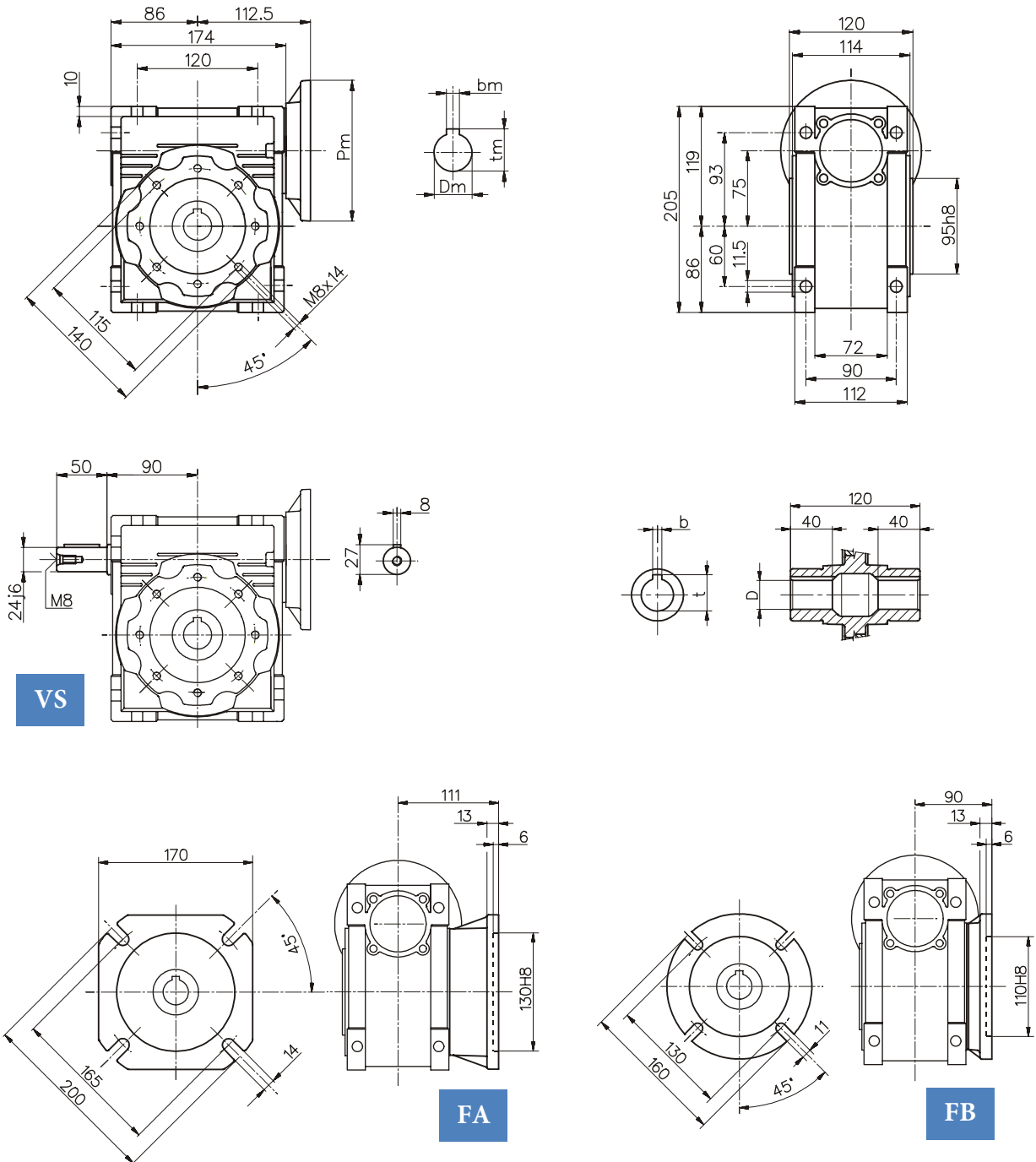
Тегло без мотора - 3.5 kg

Weight without motor - 3.5 kg

Изходящ кух вал/Output hollow shaft		
D H8	b	t
25	8	28.3



NBR® 075



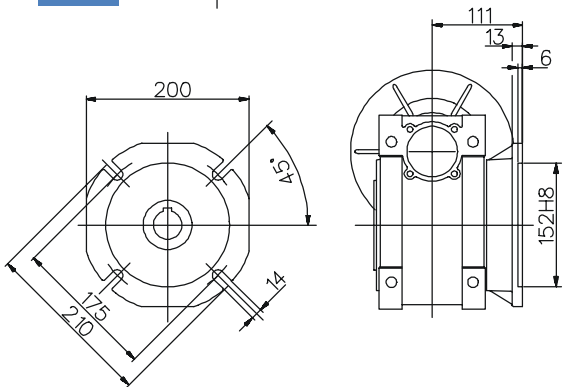
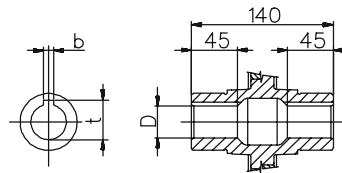
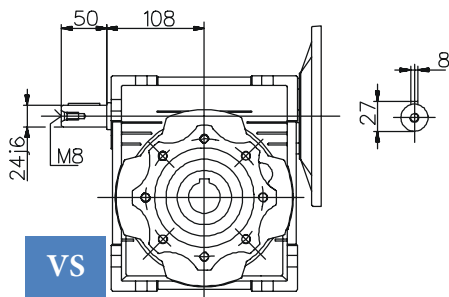
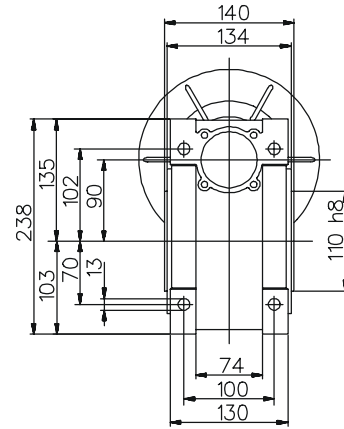
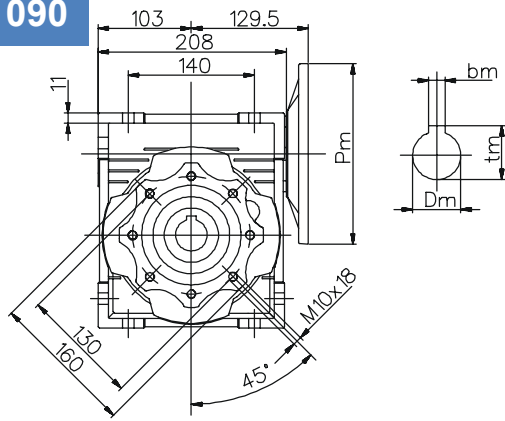
Терло без мотора - 9.0 kg

Weight without motor - 9.0 kg

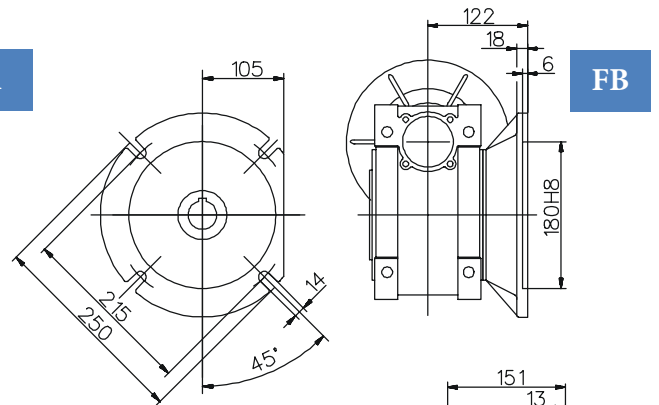
Иходящ кyx вал/Output hollow shaft		
D H8	b	t
28	8	31.3



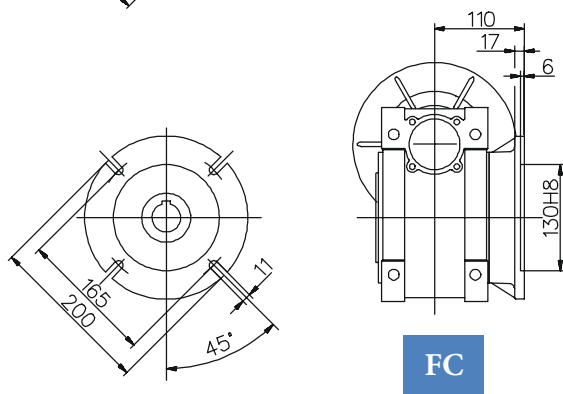
NBR® 090



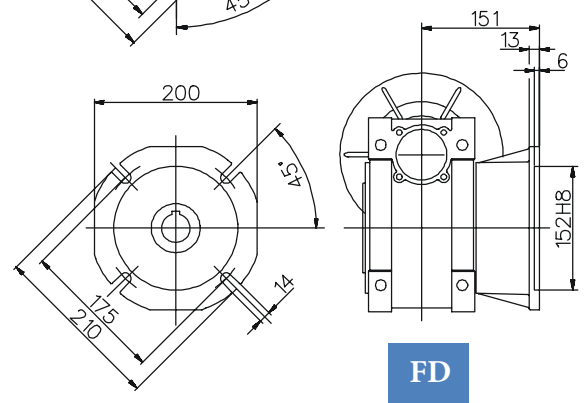
FA



FB



FC



FD

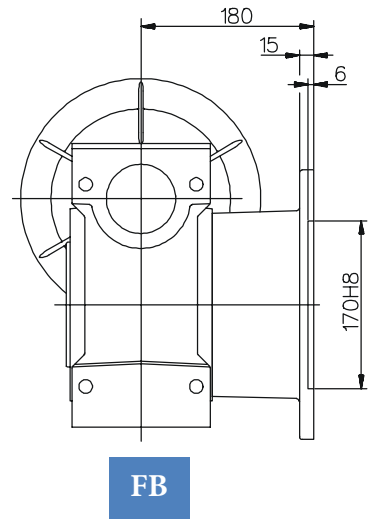
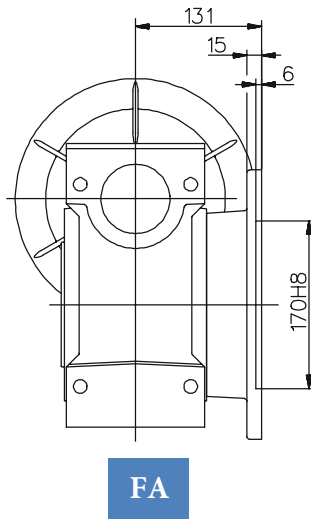
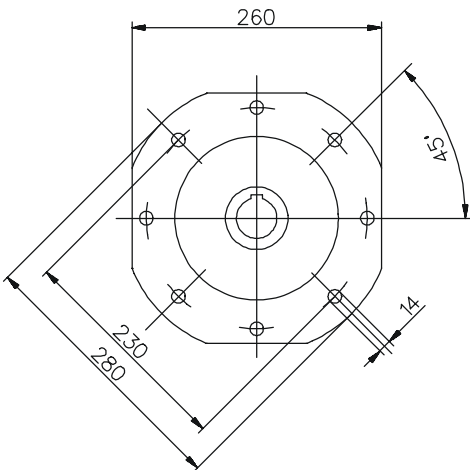
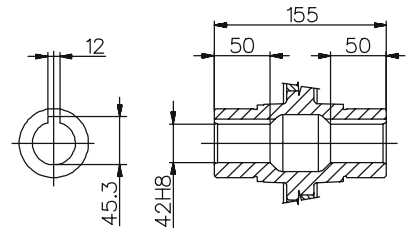
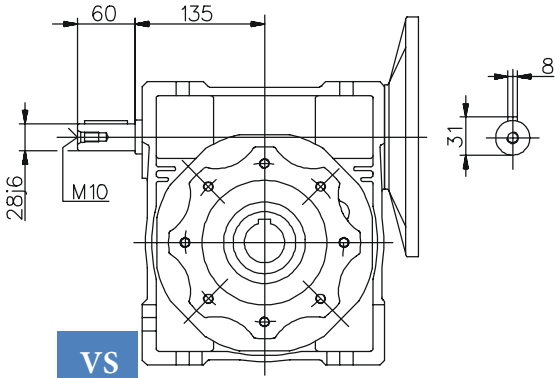
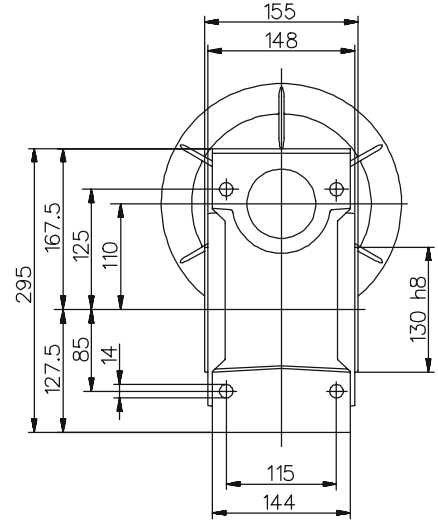
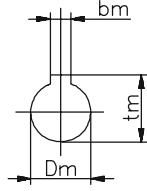
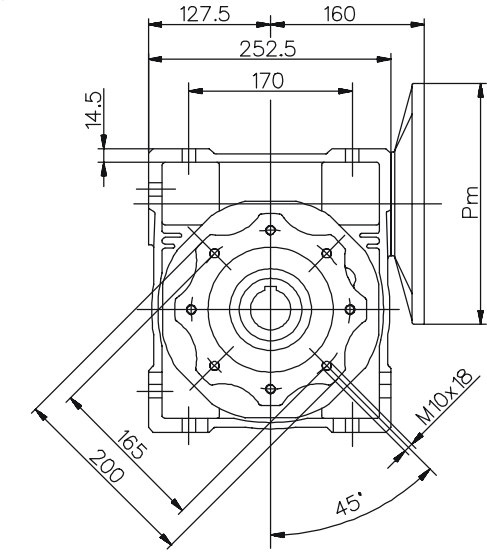
Терло без мотора - 13.0 kg

Weight without motor - 13.0 kg

Изходящ кух вал/Output hollow shaft		
D H8	b	t
35	10	38.3



NBR® 110

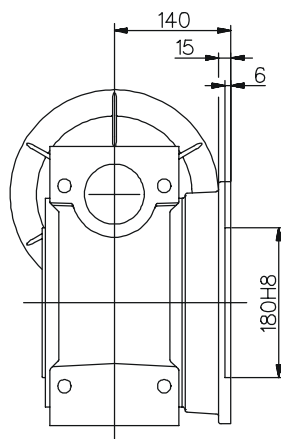
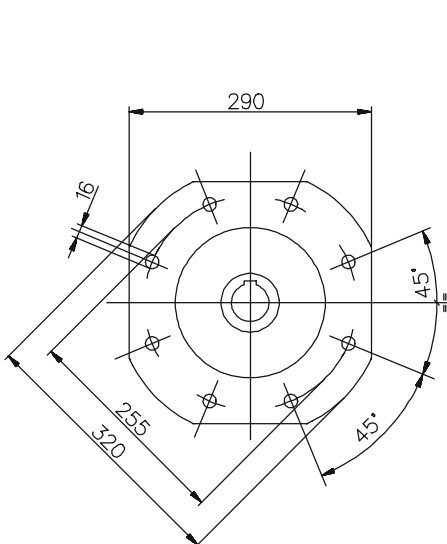
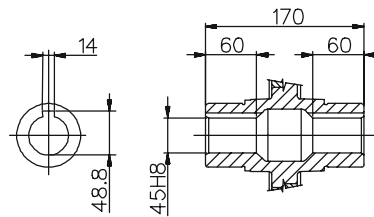
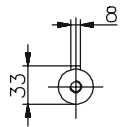
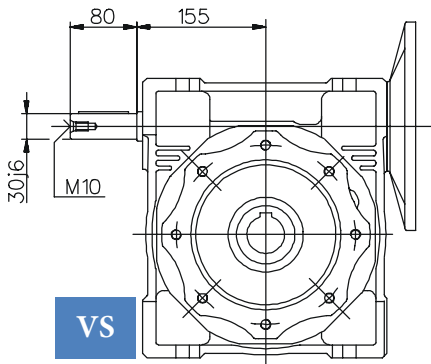
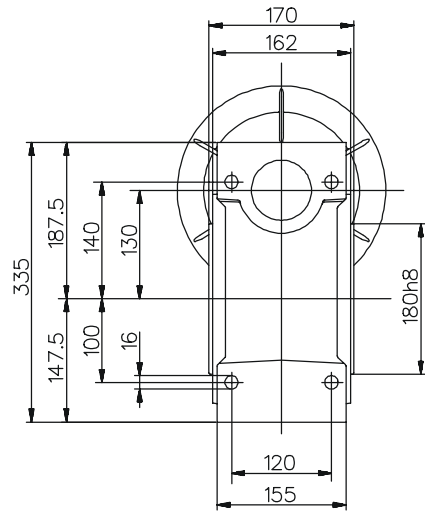
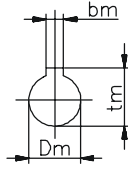
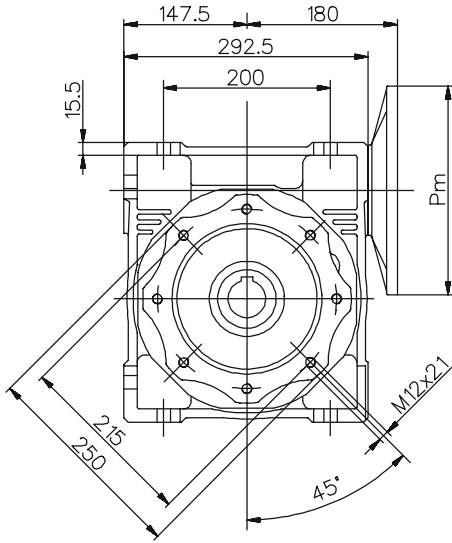


Тегло без мотора - 35.0 kg

Weight without motor - 35.0 kg



NBR® 130

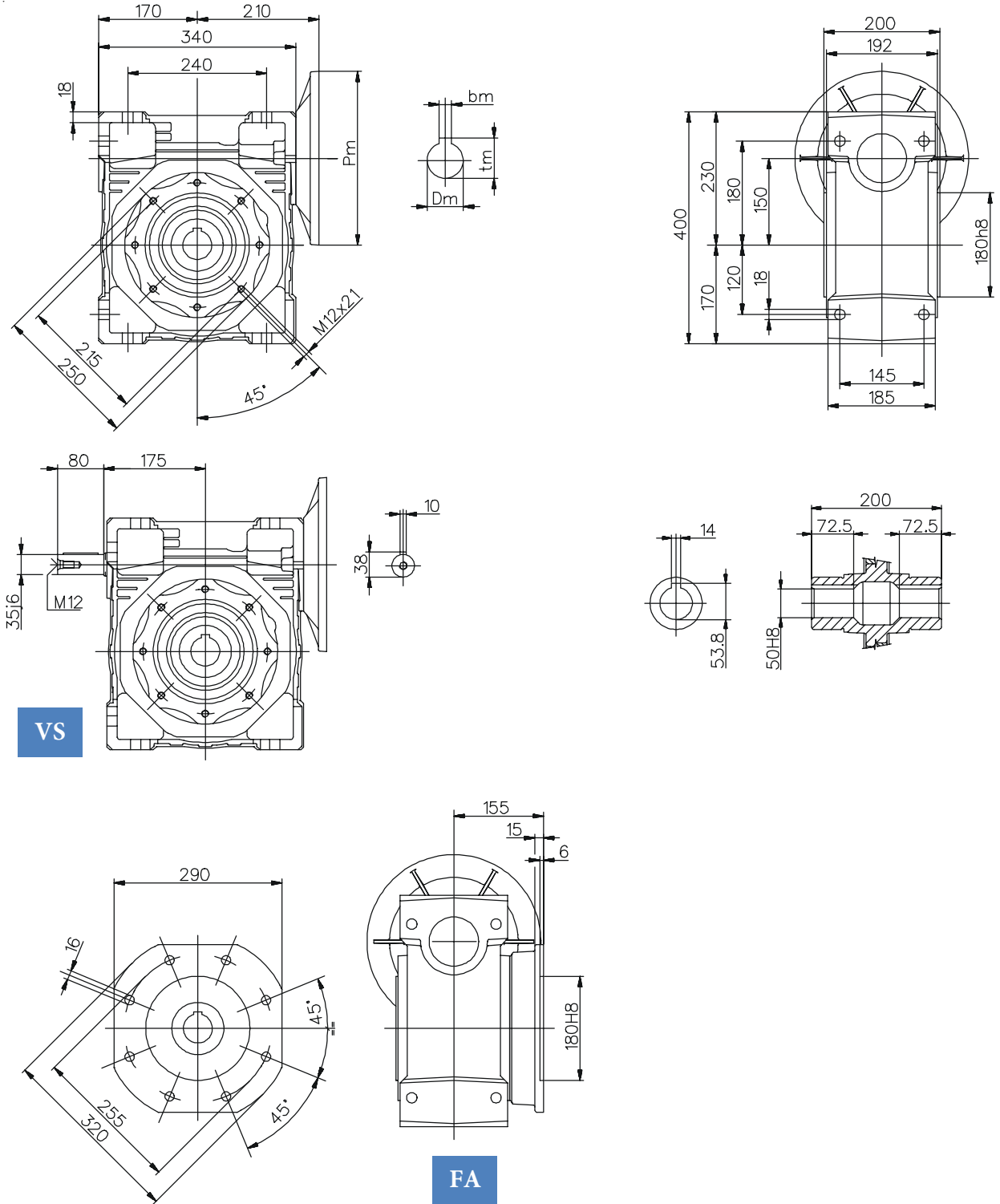


Терло без мотора - 48.0 kg

Weight without motor - 48.0 kg



NBR® 150

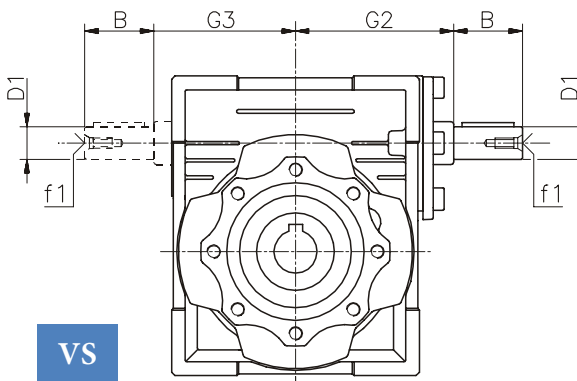
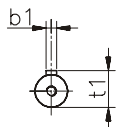
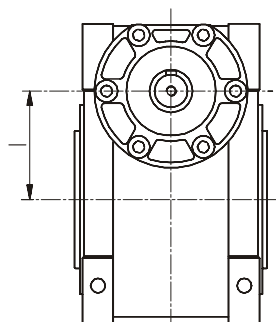


VS

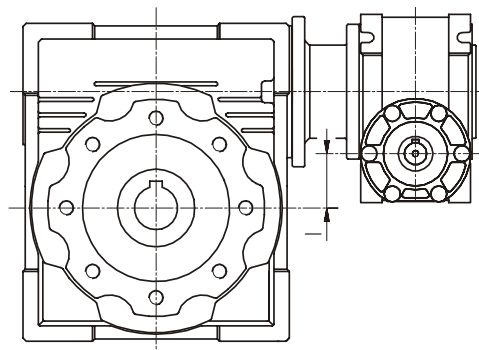
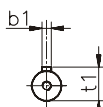
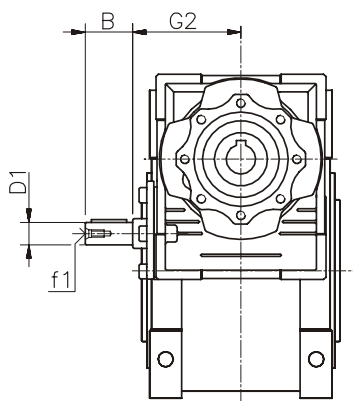
FA

Тегло без мотора - 84.0 kg

Weight without motor - 84.0 kg


NBRS®

VS

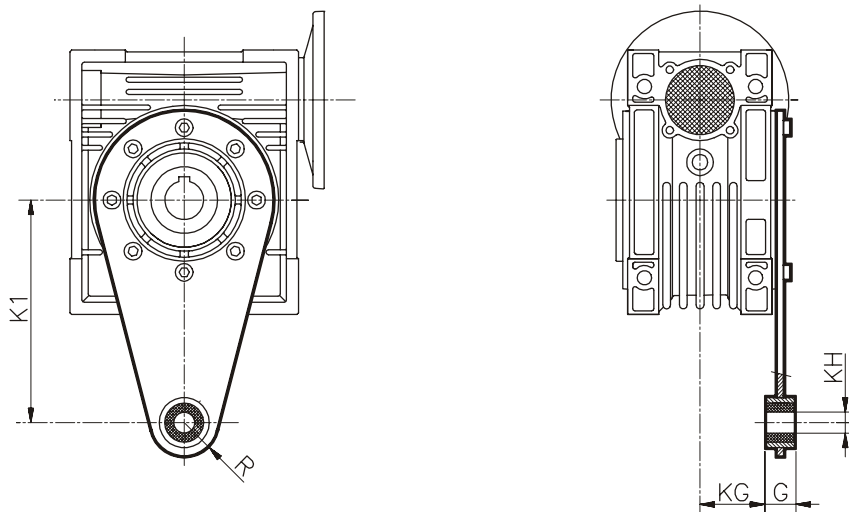
NBRS	030	040	050	063	075	090	105	110	130	150
B	20	23	30	40	50	50	60	60	80	80
D1	9 j6	11 j6	14 j6	19 j6	24 j6	24 j6	28 j6	28 j6	30 j6	35 j6
G2	51	60	74	90	105	125	142	142	162	195
G3	45	53	64	75	90	108	135	135	155	175
l	30	40	50	63	75	90	110	110	130	150
b1	3	4	5	6	8	8	8	8	8	10
f1	-	-	M6	M6	M8	M8	M10	M10	M10	M12
t1	10,2	12,5	16	21,5	27	27	31	31	33	38

NBRS® - NBR®


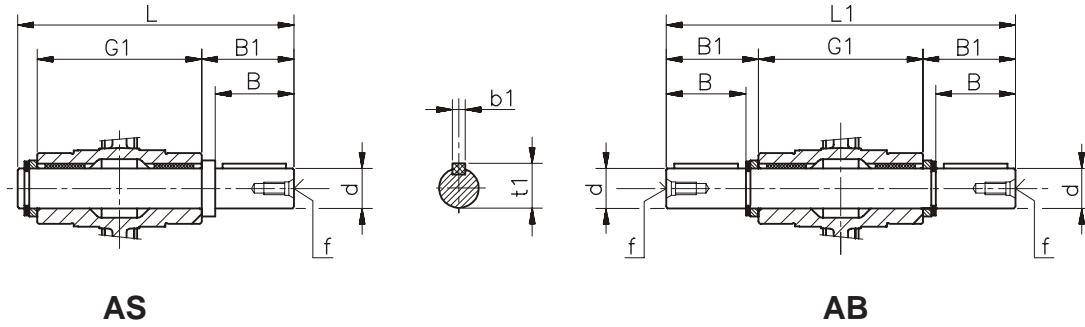
NBRS-NBR	030-040	030-050	030-063	040-075	040-090	050-105	050-110	063-130	063-150
B	20	20	20	23	23	30	30	40	40
D1	9 j6	9 j6	9 j6	11 j6	11 j6	14 j6	14 j6	19 j6	19 j6
G2	51	51	51	60	60	74	74	90	90
l	10	20	33	35	50	60	60	67	87
b1	3	3	3	4	4	5	5	6	6
f1	-	-	-	-	-	M6	M6	M6	M6
t1	10,2	10,2	10,2	12,5	12,5	16	16	21,5	21,5

За липващите размери, моля вижте чертежите на съответните габарити NBR

For the missing dimensions, please consider the drawing of relevant NBR sizes



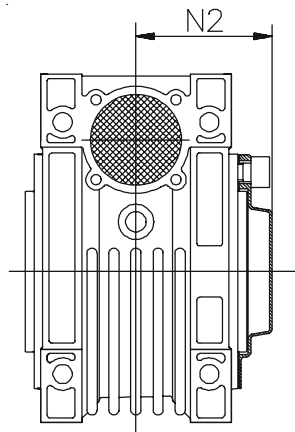
SIZE	K1	G	KG	KH	R
025	70	14	17,5	8	15
030	85	14	24	8	15
040	100	14	31,5	10	18
050	100	14	38,5	10	18
063	150	14	49	10	18
075	200	25	47,5	20	30
090	200	25	57,5	20	30
105	250	30	62	25	35
110	250	30	62	25	35
130	250	30	69	25	35
150	250	30	84	25	35



AS

AB

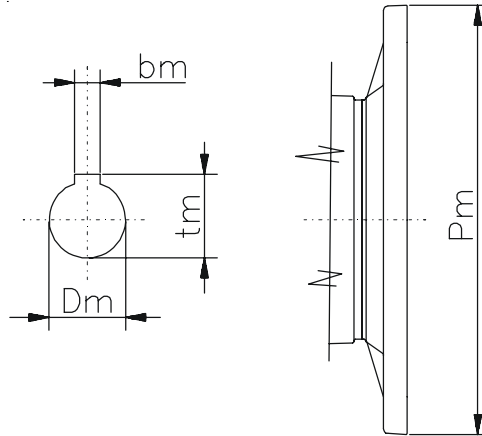
SIZE	d	B	B1	G1	L	L1	f	b1	t1
030	14 h6	30	32.5	63	102	128	M6	5	16
040	18 h6	40	43	78	128	164	M6	6	20.5
050	25 h6	50	53.5	92	153	199	M10	8	28
063	25 h6	50	53.5	112	173	219	M10	8	28
075	28 h6	60	63.5	120	192	247	M10	8	31
090	35 h6	80	84.5	140	234	309	M12	10	38
105	42 h6	80	84.5	155	249	324	M16	12	45
110	42 h6	80	84.5	155	249	324	M16	12	45
130	45 h6	80	85	170	265	340	M16	14	48.5
150	50 h6	82	87	200	297	374	M16	14	53.5



SIZE	030	040	050	063	075	090	110	130	150
N2	42	50	57.5	68.5	73.5	85.5	94	102	117



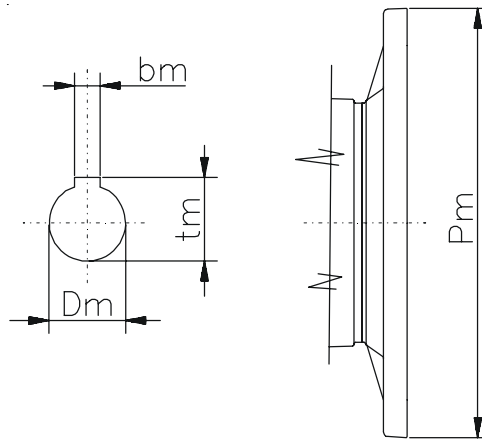
NBR® PAM B5



B5	IEC										
	056	063	071	080	090	100	112	132	160	180	200
Pm	120	140	160	200	200	250	250	300	350	350	400
Dm	9	11	14	19	24	28	28	38	42	48	55
bm	3	4	5	6	8	8	8	10	12	14	16
tm	10.4	12.8	16.3	21.8	27.3	31.3	31.3	41.3	45.3	51.8	59.3



NBR® PAM B14



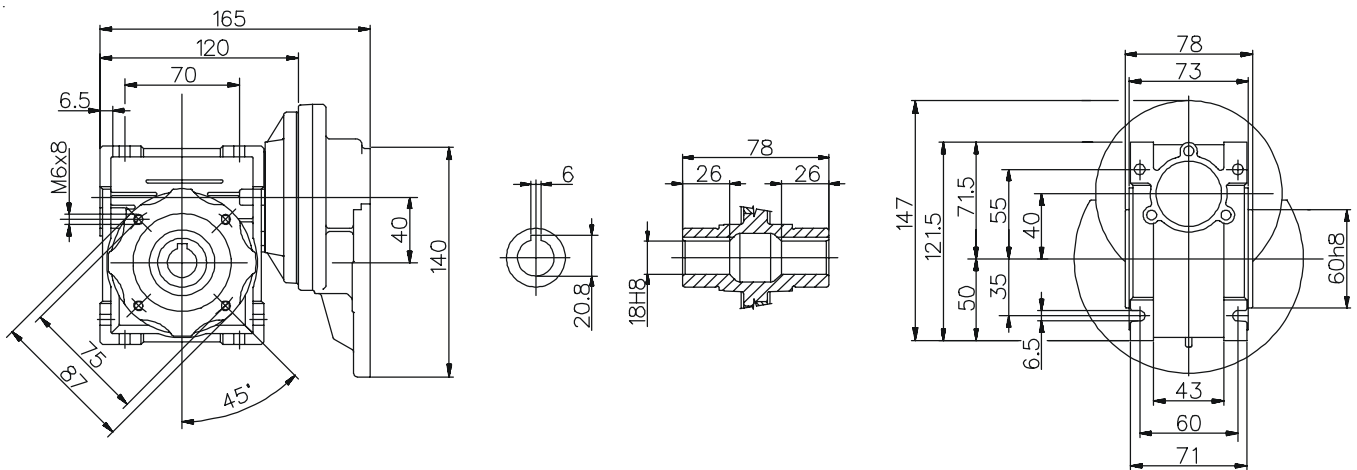
B14	IEC								
	056	063	071	080	090	100	112	132	
Pm	80	90	105	120	140	160	160	200	
Dm	9	11	14	19	24	28	28	38	
bm	3	4	5	6	8	8	8	10	
tm	10.4	12.8	16.3	21.8	27.3	31.3	31.3	41.3	



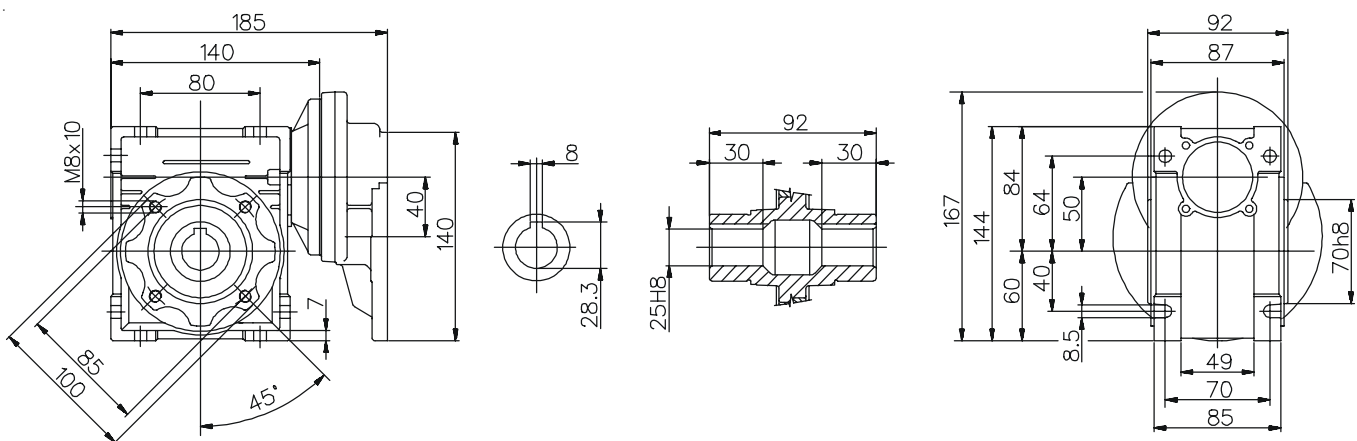
За липващите размери, моля вижте чертежите на съответните габарити NBR

For the missing dimensions, please consider the drawing of relevant NBR sizes

PC 063 - NBR® 040

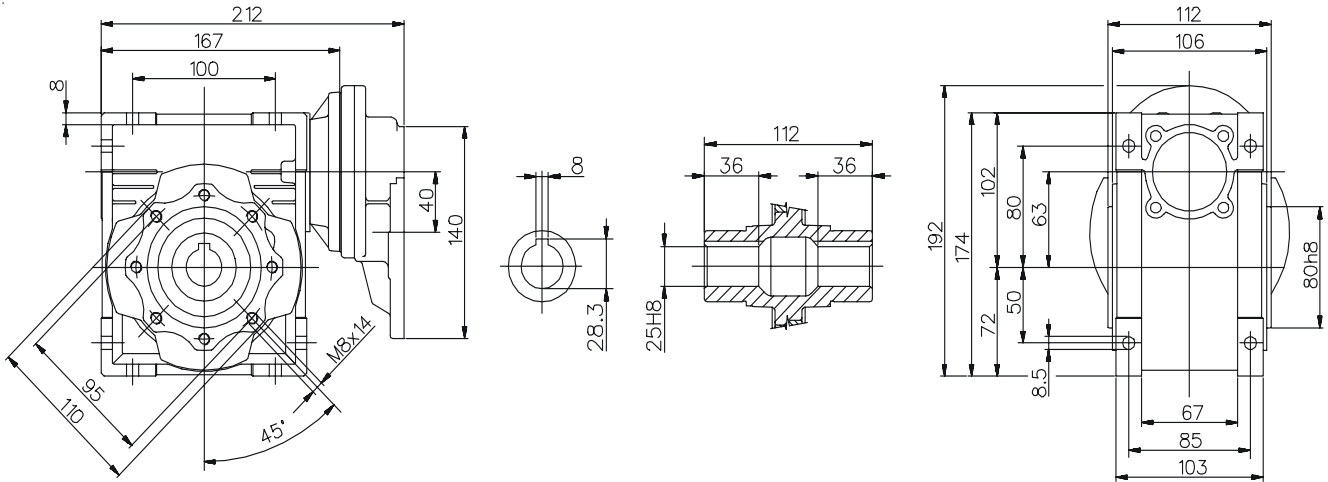


PC 063 - NBR® 050

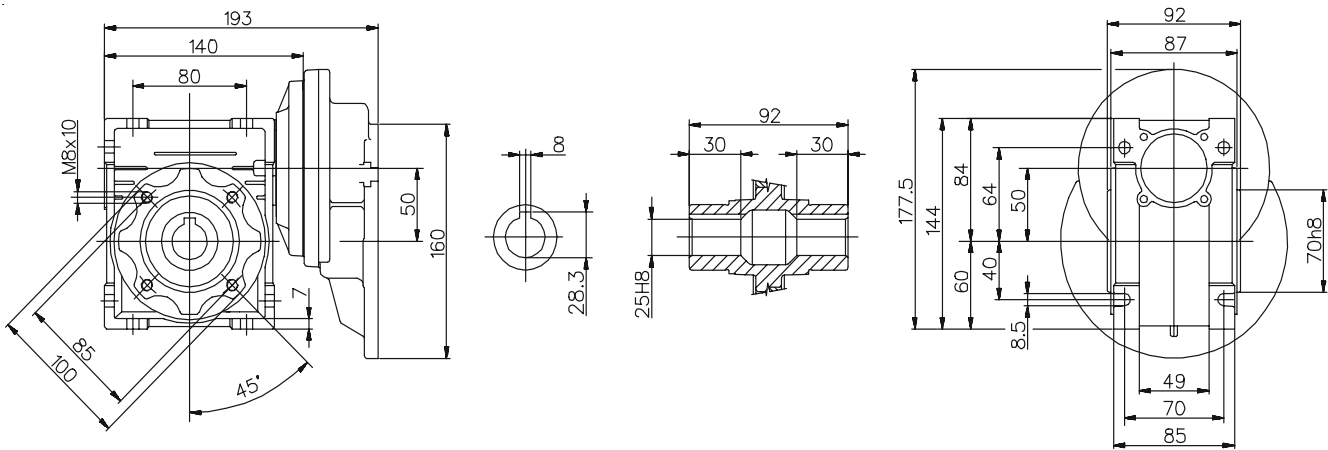




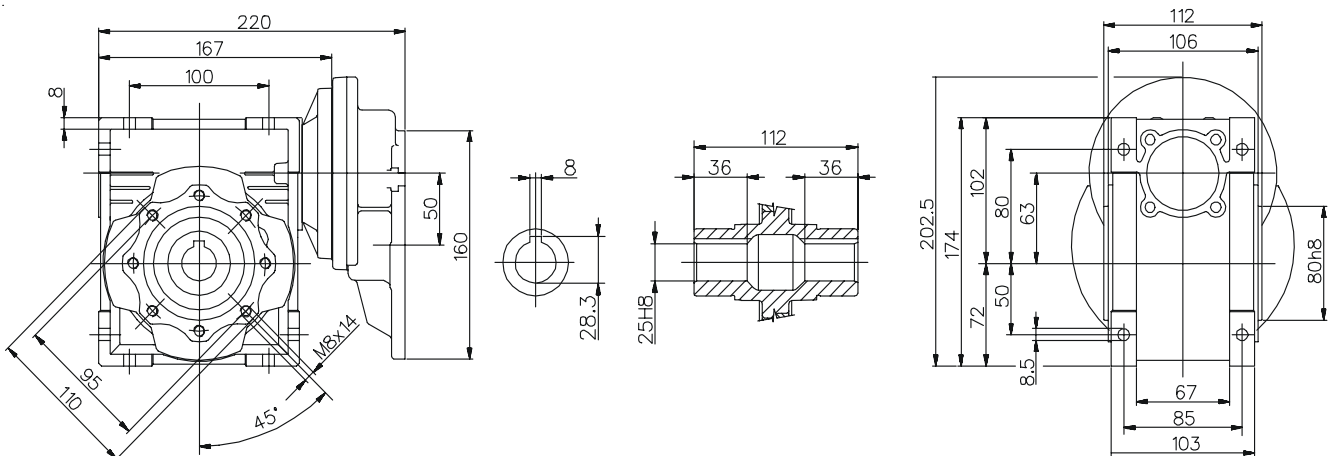
PC 063 - NBR® 063



PC 071 - NBR® 050

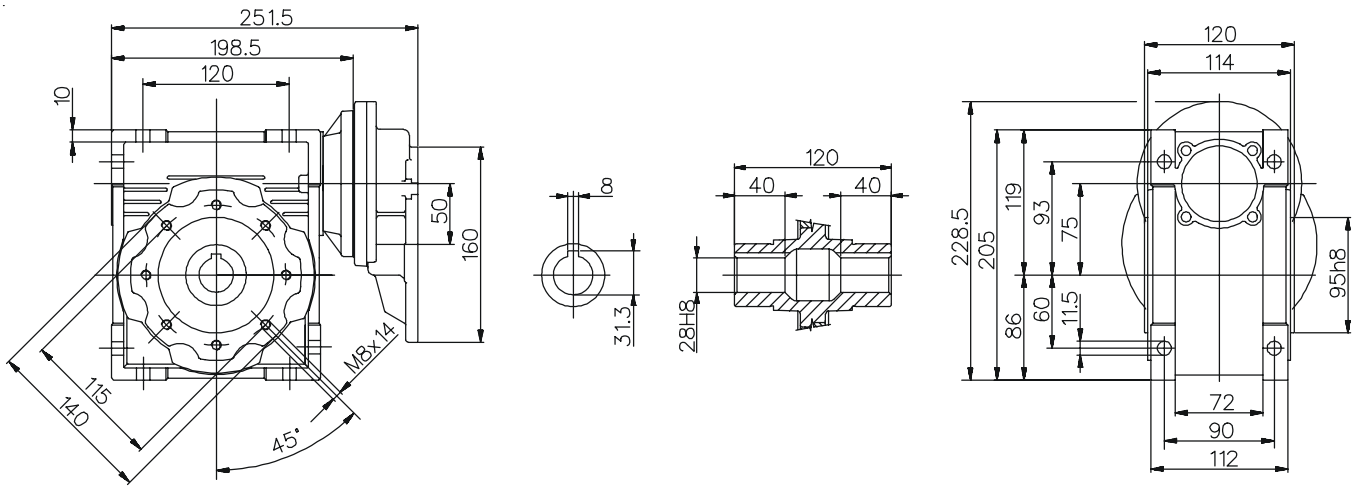


PC 071 - NBR® 063

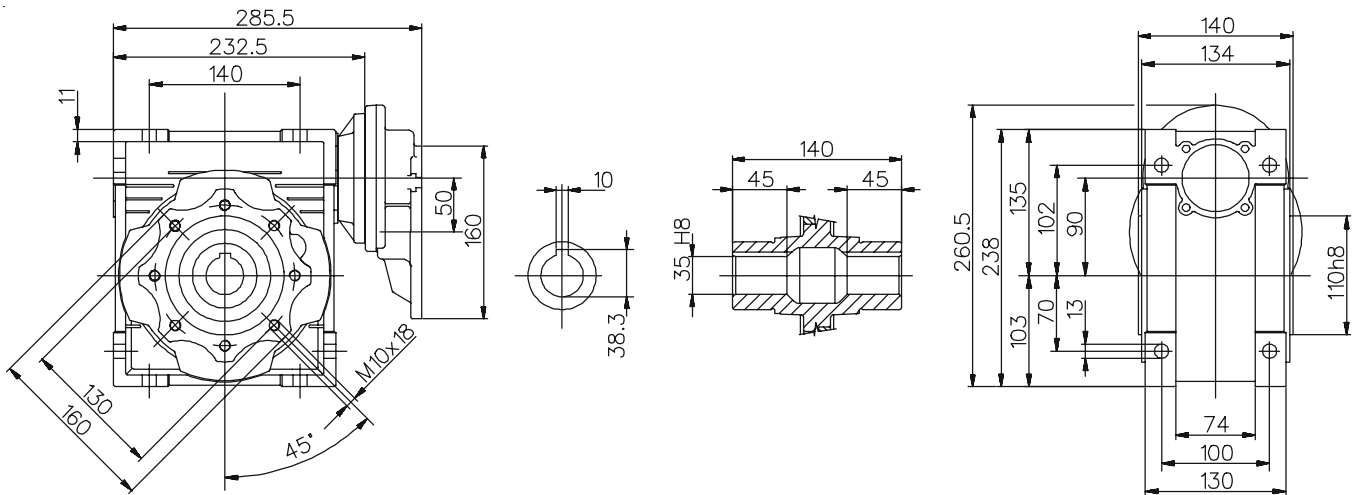




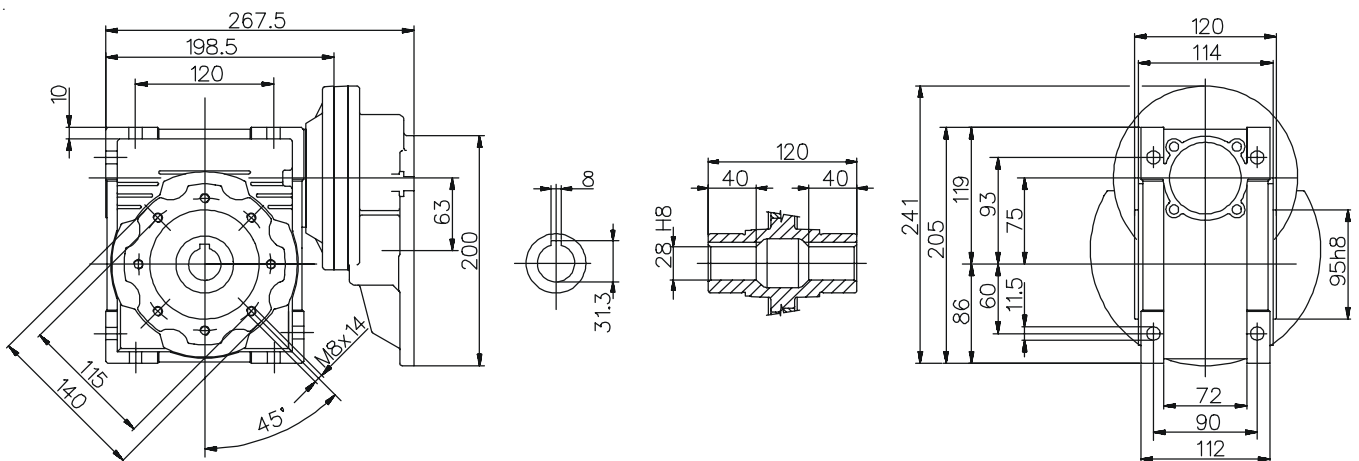
PC 071 - NBR® 075



PC 071 - NBR® 090

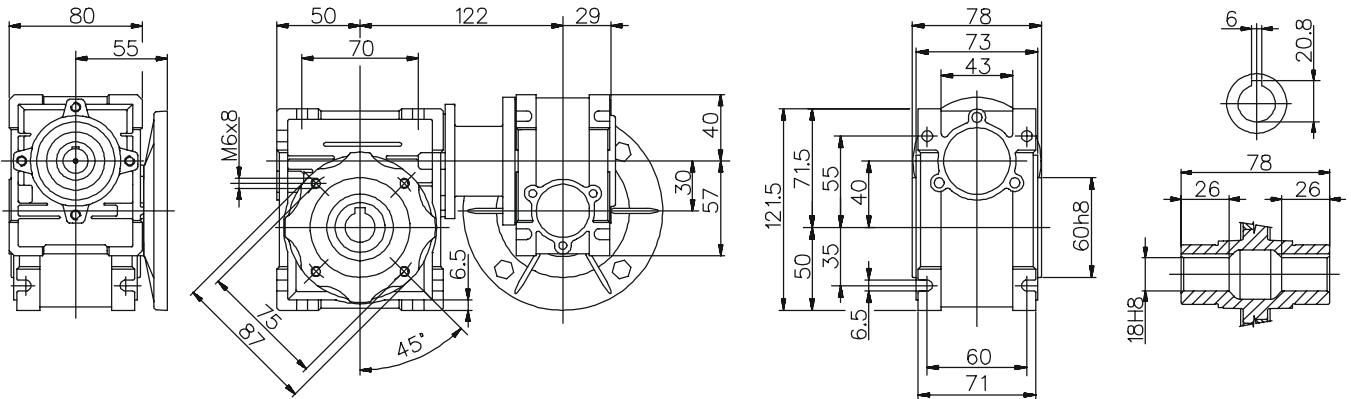


PC 080 - NBR® 075

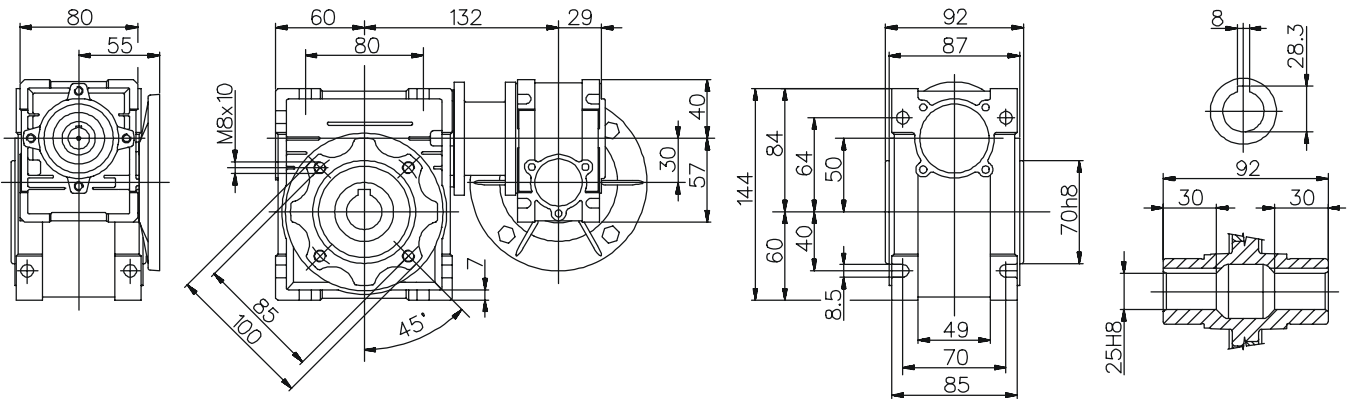




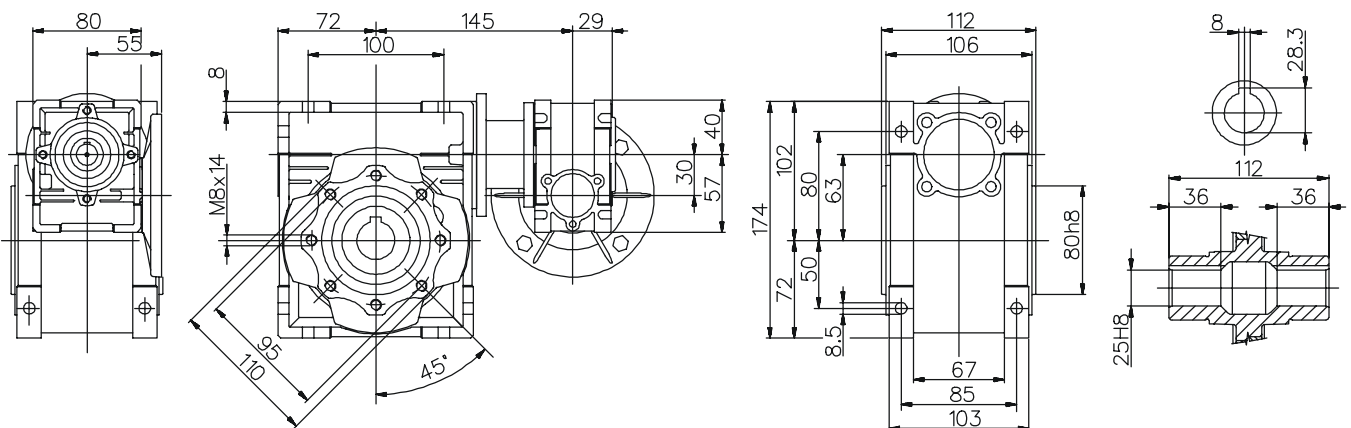
NBR[®] 030 - 040



NBR[®] 030 - 050

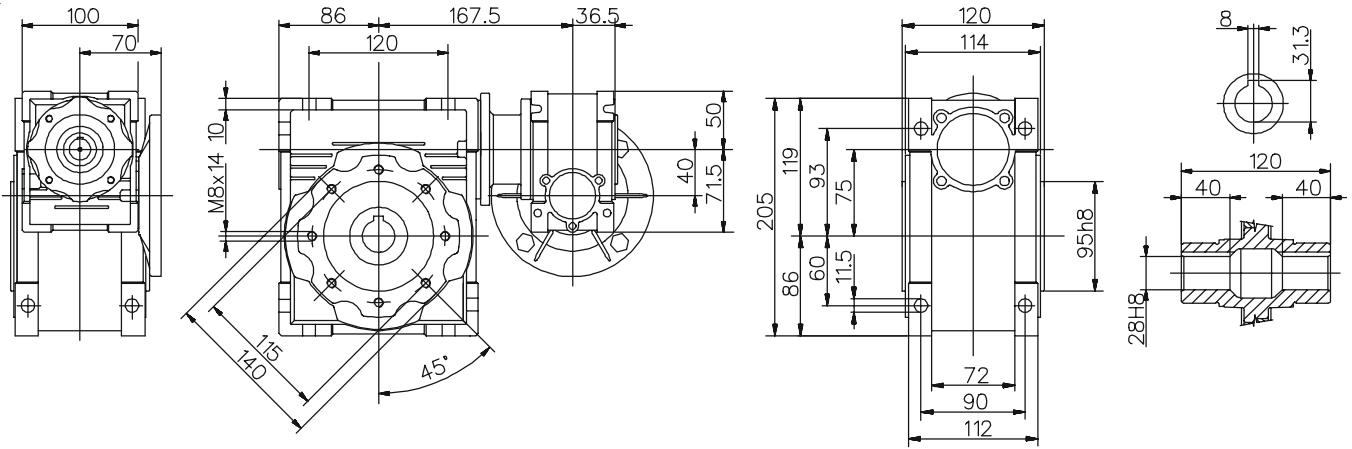


NBR[®] 030 - 063

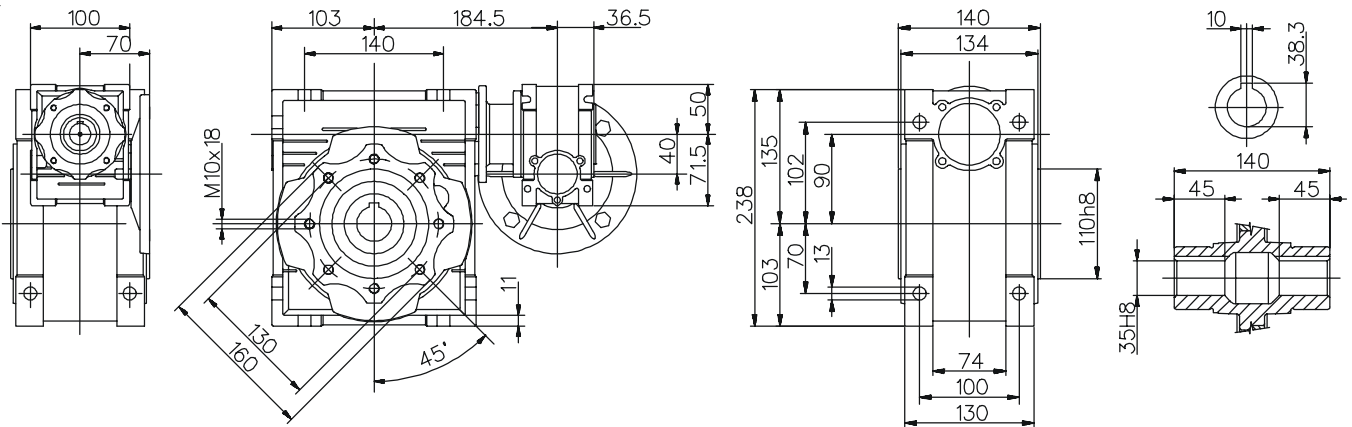




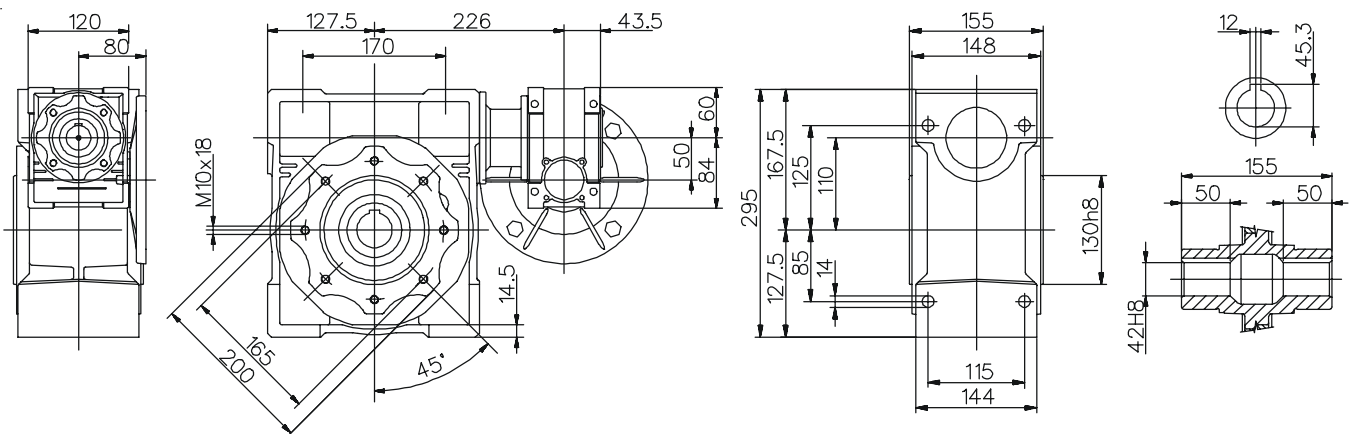
NBR[®] 040 - 075



NBR[®] 040 - 090

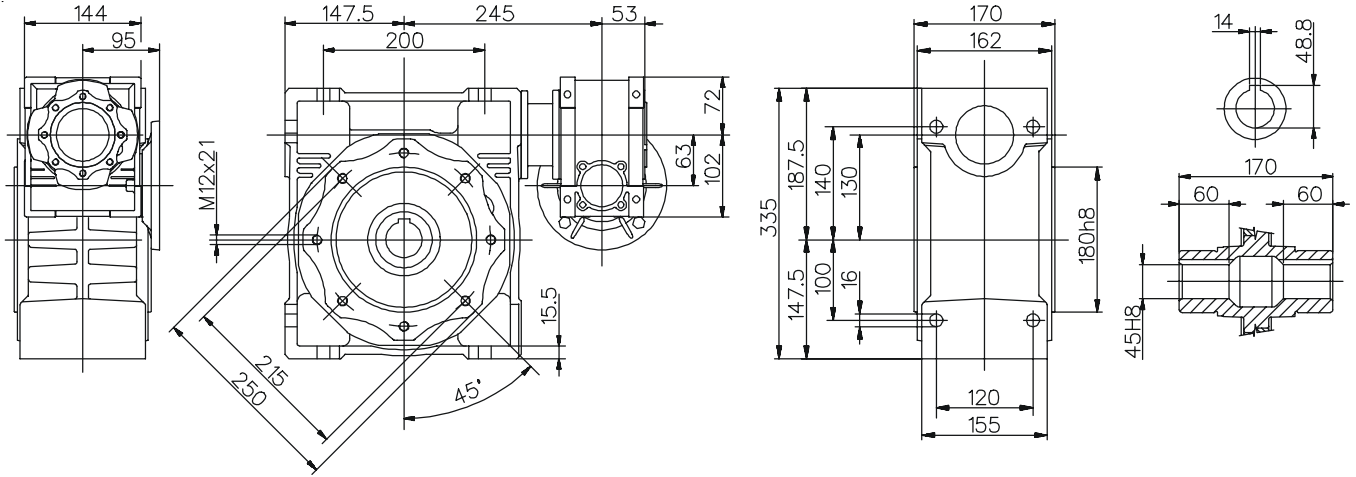


NBR[®] 050 - 110

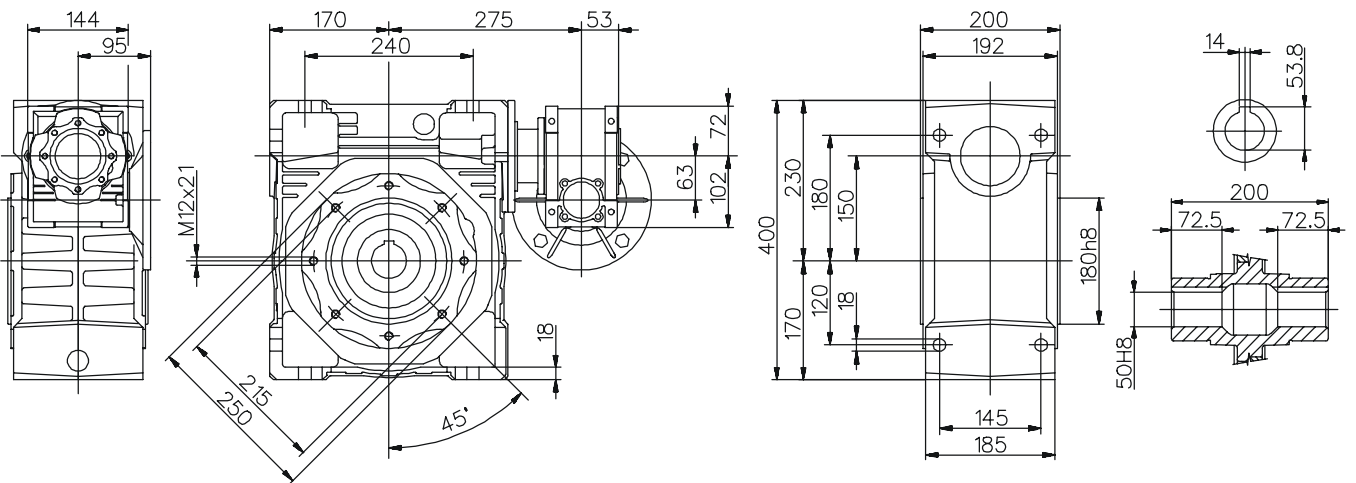




NBR® 063 - 130



NBR® 063 - 150



За липващите размери, моля вижте чертежите на съответните габарити NBR

For the missing dimensions, please consider the drawing of relevant NBR sizes